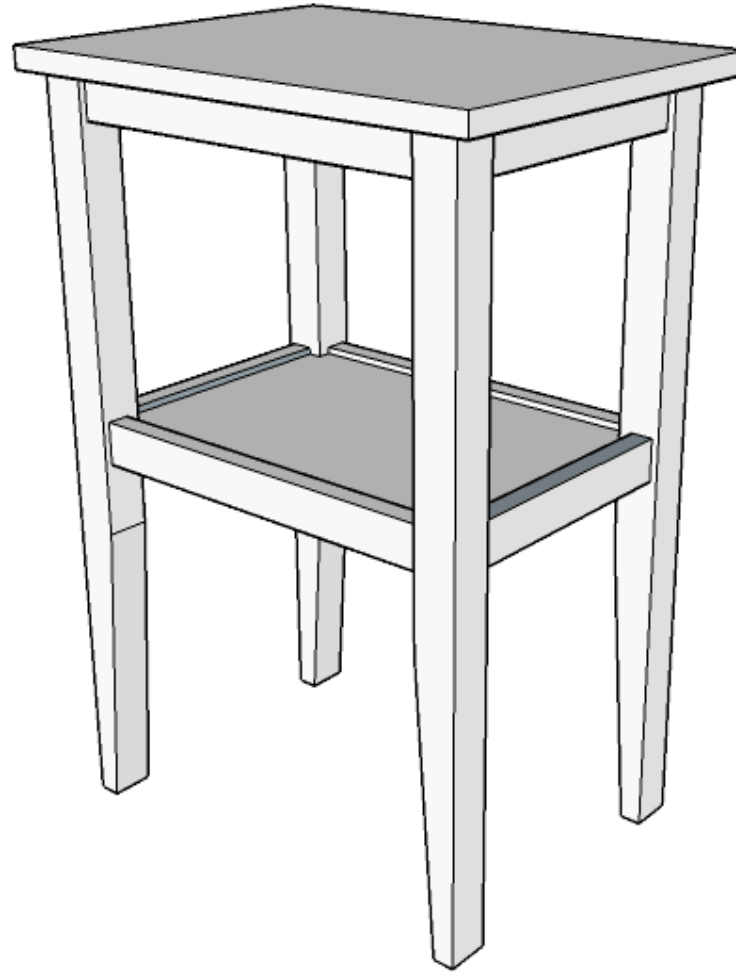


DIY Side Table Plans



These plans are currently free to email subscribers and for personal use only. They cannot be shared or sold without my permission. Please let me know if you have any questions and enjoy your build! :)

Find the full tutorial with build photos and finish steps here: <https://abbottsathome.com/pretty-diy-side-table-plans/>

See the tutorial and video for the Color Block Wood Table Top here: <https://abbottsathome.com/wood-color-block-table-top/>

More Build Plans from Abbots At Home here: <https://abbottsathome.com/build-plans/>

See build previews and behind the scenes, on Instagram: <https://www.instagram.com/abbottsathome/>

Abbots At Home Tutorials and DIY Videos on YouTube: https://www.youtube.com/channel/UCck5Oq8xzRT9sacKs56kG_A/

Tools Needed

[Kreg Jig](#) & Kreg 1 1/4" Coarse Thread Screws

Drill

Various clamps

[Miter Saw](#) or Circular Saw

Optional: Table Saw for tapering the legs and some sort of homemade jig OR a [store-bought tapering jig](#)
Jig Saw (to notch out the lower plywood shelf)

Shopping List

9' of 2x2 dimensional lumber, like Select Pine

8' of 1x2 dimensional lumber, like Select Pine

About 2' x 2' of 3/4" Plywood

[Zinsser 123 Primer](#), or your favorite

[Chalk Paint in any shade](#) you'd like, for the frame

Any stain you might want to use

Edge Banding & Iron, to put a smooth edge on the table top

2 - [1" Corner Braces](#)

Wood Filler, Wood Glue, and Good Paint Brushes

Side Table Cut List

Be sure to **double-check everything, as you build**. It's always possible that I could have mis-typed something. Bloggers don't have editors. ;) Also, I used Select Pine Dimensional Lumber and Cabinet Grade Plywood for this build.

4 - 26" long 2x2's

4 - 9" long 1x2's

4 - 13 1/2" long 1x2's

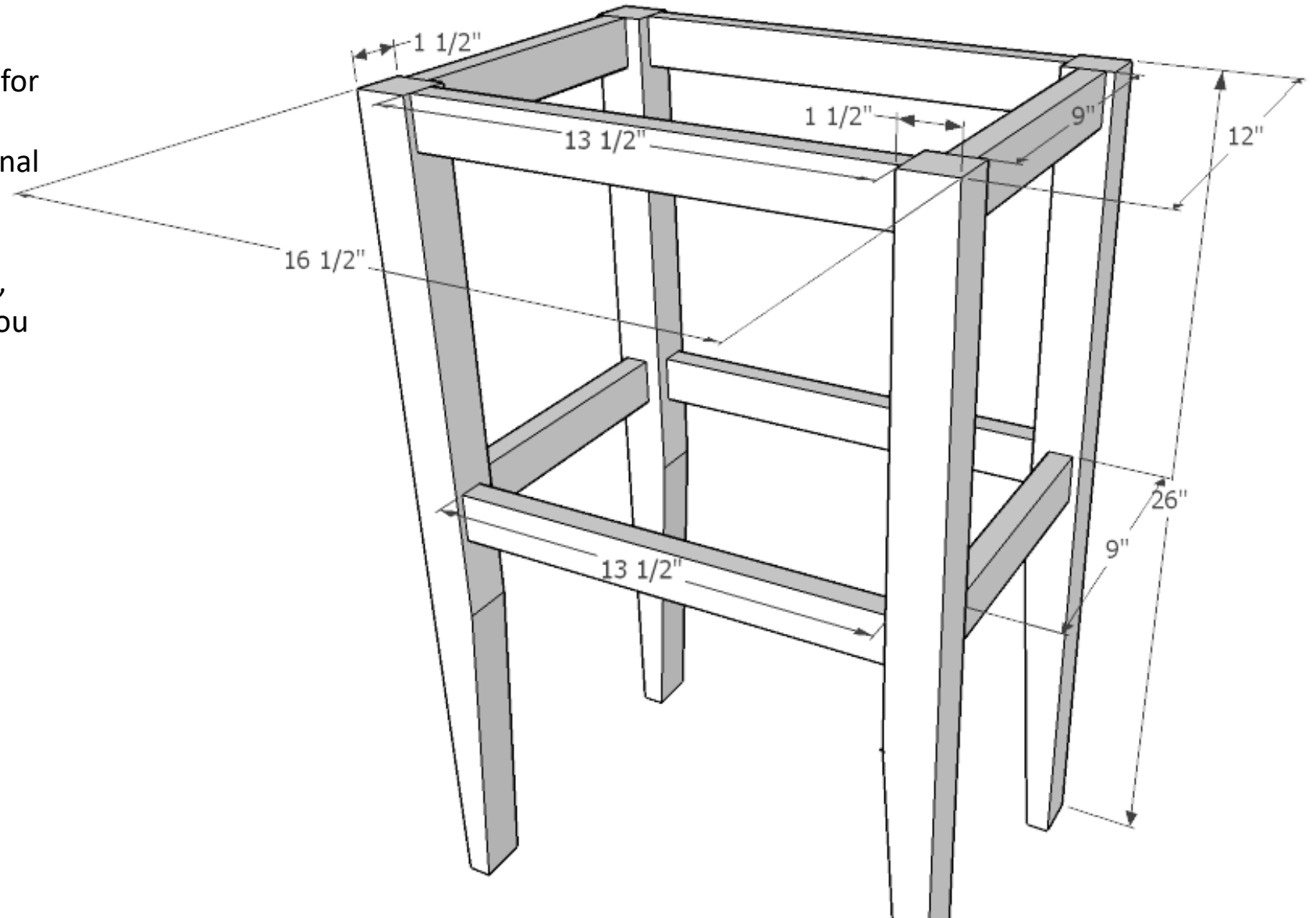
1 - 18" x 13 1/2" piece of 3/4" Plywood

14 1/2" x 10" piece of 3/4" Plywood (cut after assembling the frame, you may need to modify size slightly per build)

Step One

Cut the legs, aprons, and stretchers for your table. Use the measurements above for the 2x2 and 1x2 dimensional lumber.

Here's a diagram of the legs, aprons, and stretchers assembled, to help you understand the build.

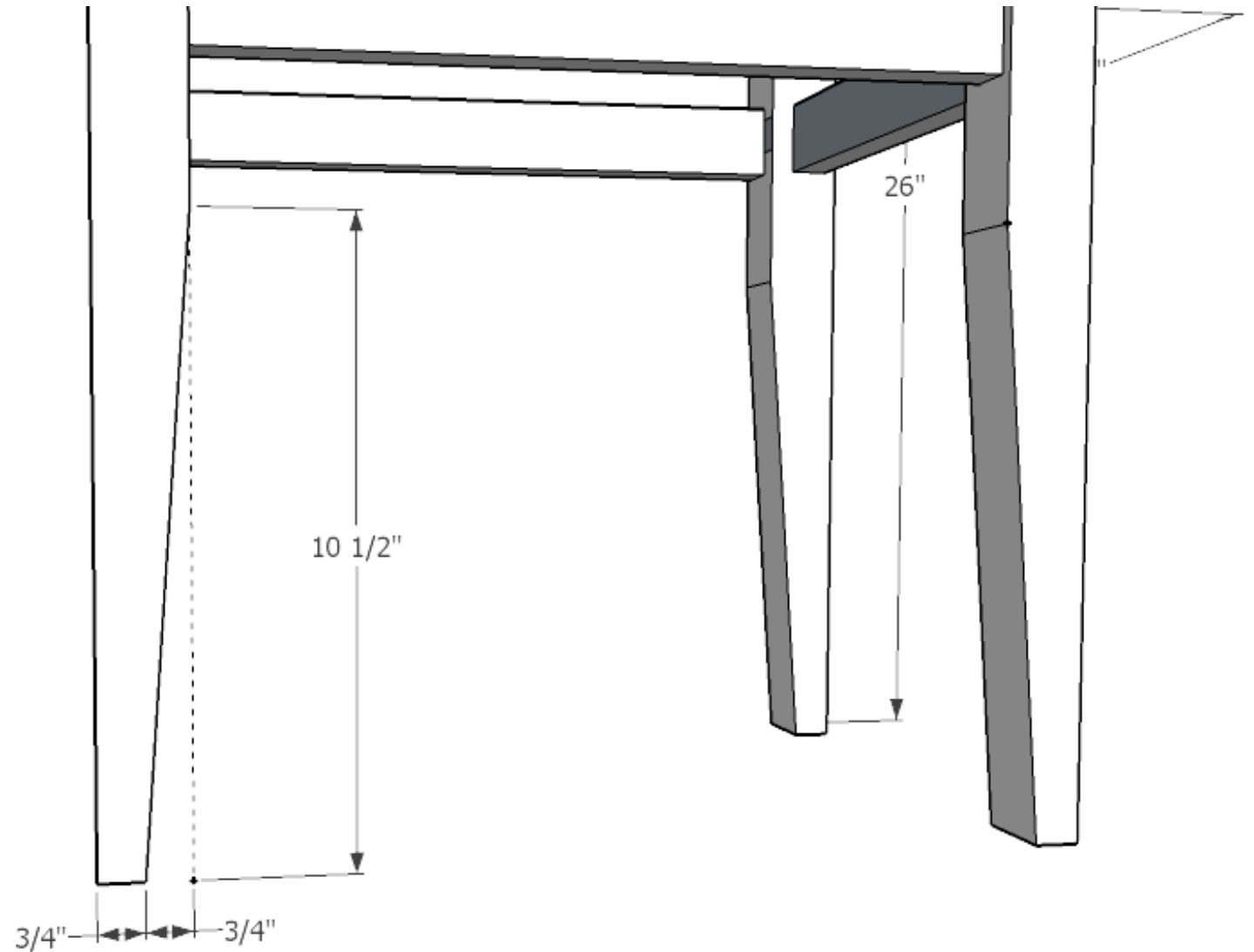


Step Two

Optional: I've slightly tapered the bottom 10 1/2" of my legs. I quickly made my own jig. I'm not even sure of the angle of my taper. I just sketched the line I wanted and set up the jig to cut it. Sorry. My leg bottoms are 3/4" thick. The tapers are on the inside of the legs.

Step Three

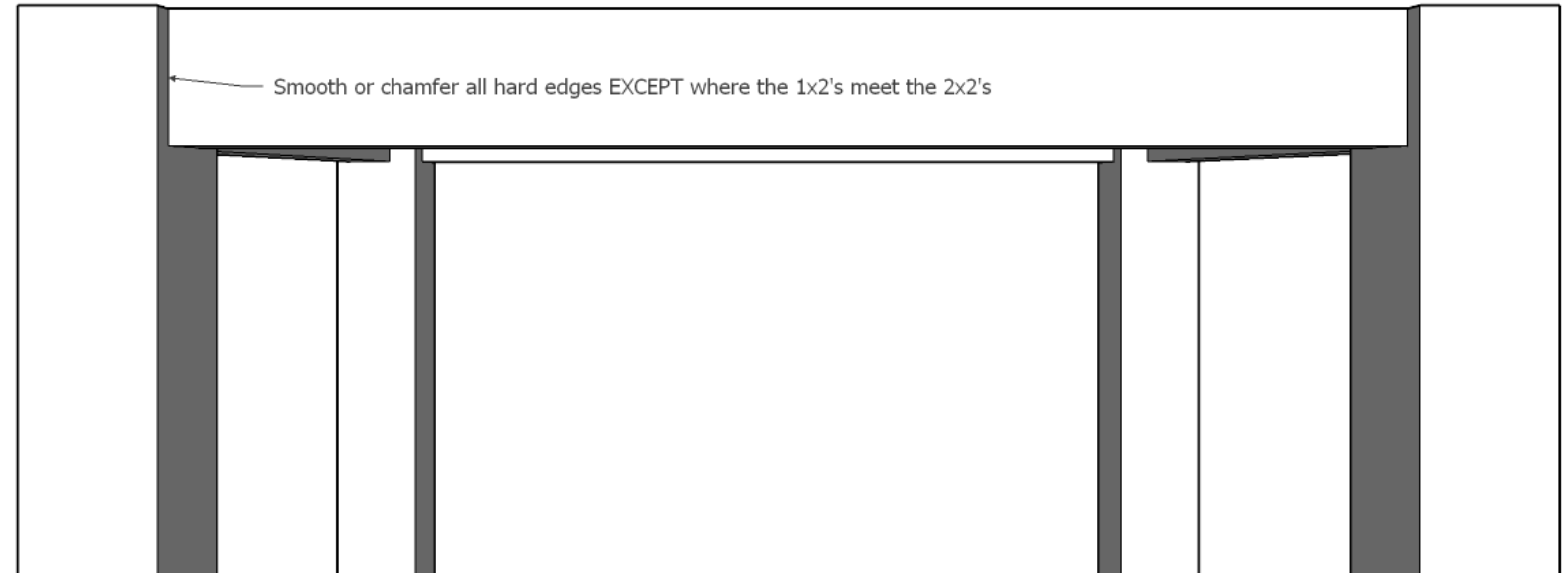
Use your Kreg Jig to put 1 pocket hole on each end of the 1x2" boards. That will be on 8 boards for 16 pocket holes total.



Step Four

Sand all of the wood with 120-grit sandpaper. Sand all 4 sides of aprons (horizontal pieces that connect to legs and top), stretchers (horizontal pieces that connect legs), and legs.

Smooth down, or knock down, the hard corners to give the piece a softer, more finished look. But keep the short edges on the rails that connect to the 2x2" legs squared.

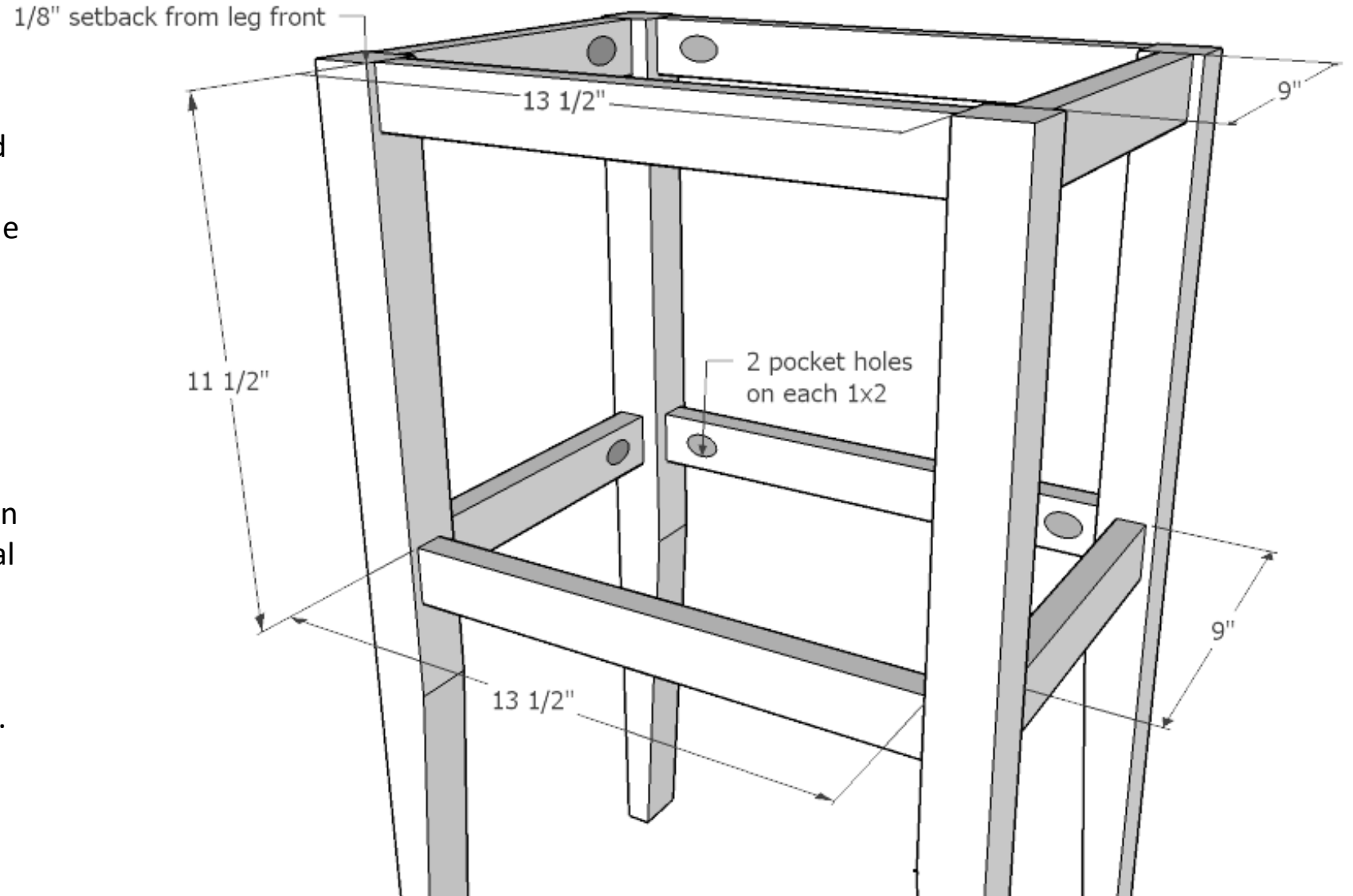


Step Five

For the DIY Side Table Plans we'll use the Kreg Drill Bit, Screws, and glue to assemble the table. The top apron should be level with the top of the legs.

The top of the lower stretcher should be 11 1/2" from the top. I used a scrap piece of 1/8" thick paneling to get the 1/8" set back on the apron and stretcher. You can see a photo of that on the tutorial post for this build.

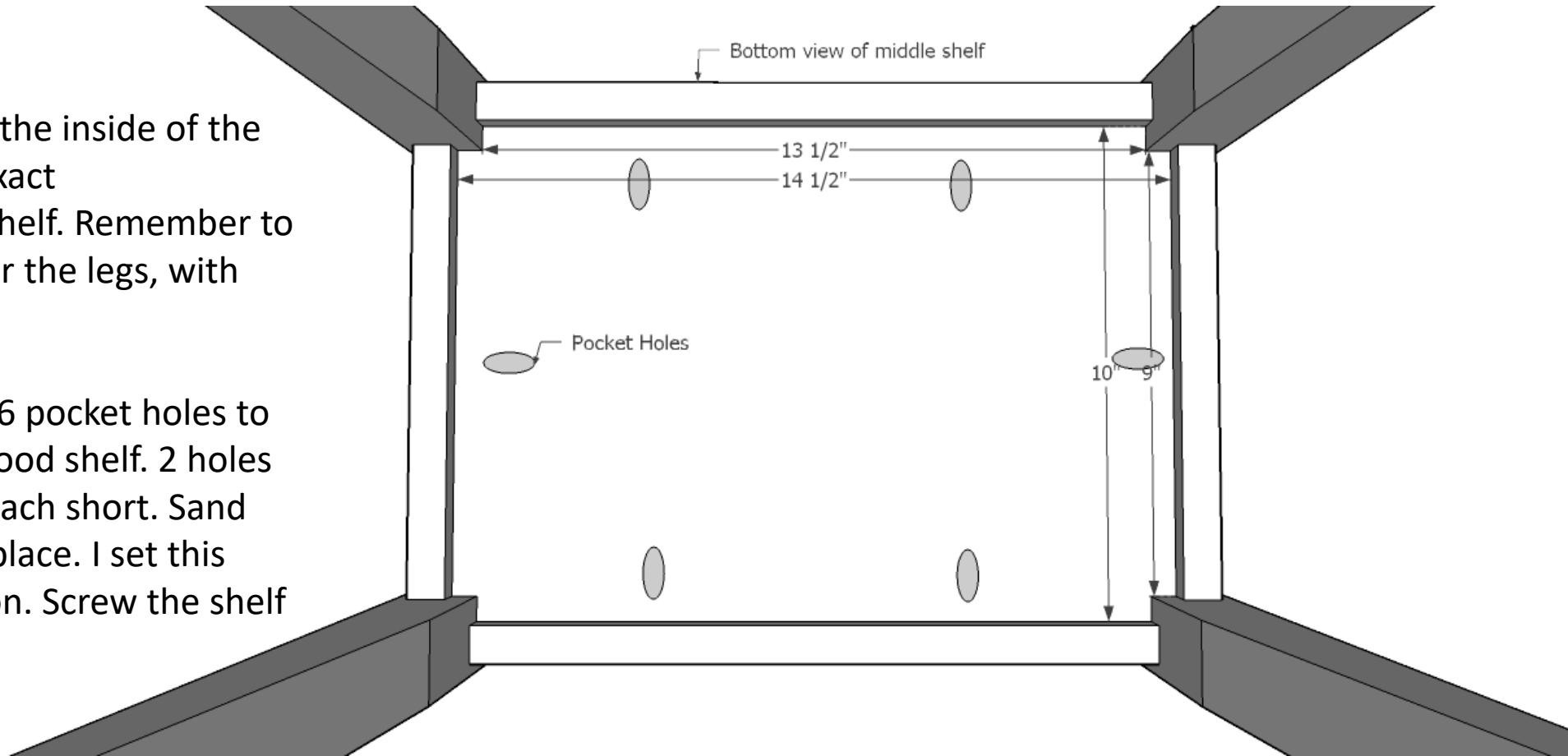
Make sure to always wipe away glue with a damp cloth as you go.



Step Six

Build the shelf. Measure the inside of the lower apron to get the exact measurements for that shelf. Remember to notch out the corners, for the legs, with your jigsaw.

Use your Kreg Jig to add 6 pocket holes to the bottom of your plywood shelf. 2 holes on each long side, 1 on each short. Sand the shelf, then clamp in place. I set this 1/8" lower than the apron. Screw the shelf in place.



Step Seven

Cut the 3/4" plywood table top. Apply [iron on edge banding](#) to the sides for a nice finish. You can attach it later with 2 - [1" Corner Braces](#). But first, apply your finish to the frame and table top.

You can see how I finished my table with homemade chalk paint and a new DIY wood color block table top here:

<https://abbottsathome.com/pretty-diy-side-table-plans/>

