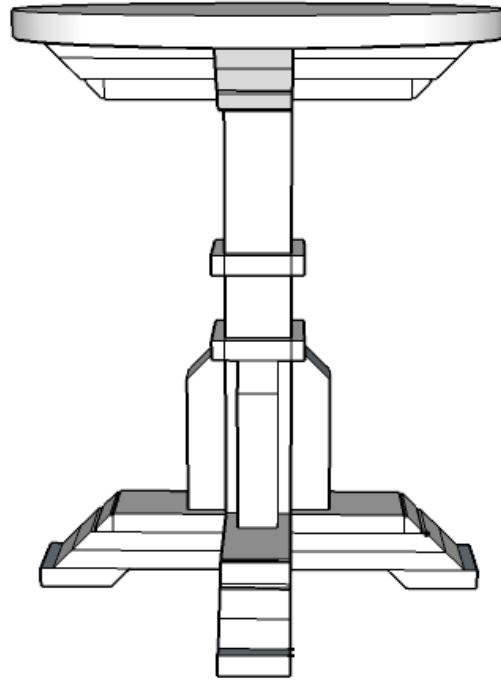


Round Top DIY Pedestal Accent Table Plans



Exact measurements needed are in the instructions below. Be sure to double-check everything, as you build. It's always possible that I could have mis-typed something. Bloggers don't have editors. ;)

Materials Needed

1 - 18" Unfinished Pine Round
About 20' of 1x3 Select Pine (or similar)
About 2' Pine Cove Moulding
About 2' - 1/2" x 3/4" Pine Moulding
About 2 1/2' of 2x2 Select Pine (or similar)
Wood Glue

Tools Needed

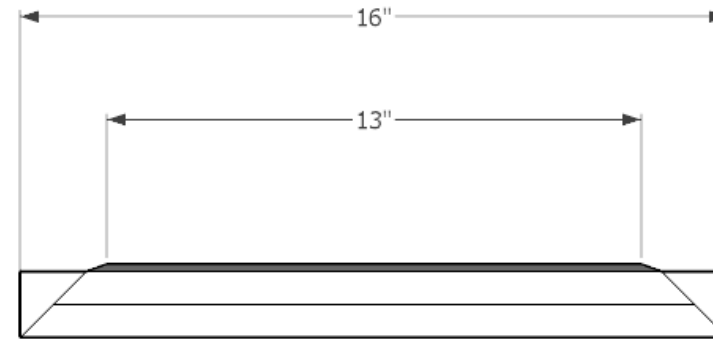
Kreg Jig, Screws and Drill
Wood Glue
Brad Nailer and Nails
Miter Saw
Sander and Sandpaper

Step One

We'll start with the cross pieces for the base and table top. Cut 4 - 16 1/2" long 1x3's. Glue and Nail 2 sets of 2 of them together. Make sure to line them up as perfectly as possible. It'll be less sanding for you later. 2 or 3 nails along the top should be enough to hold the pieces tightly together while the glue dries. BUT, keep the nails 2" away from each end so that they are kept away from the angle we'll cut next.

Step Two

Turn the 2 new pieces on their side to make 45-degree Miter cuts on each end. You want the total length at the longest point to be 16". When you make your cuts, face the nail holes towards you. That'll put them on the unseen side of the DIY Pedestal Accent Table. :)



Step Three

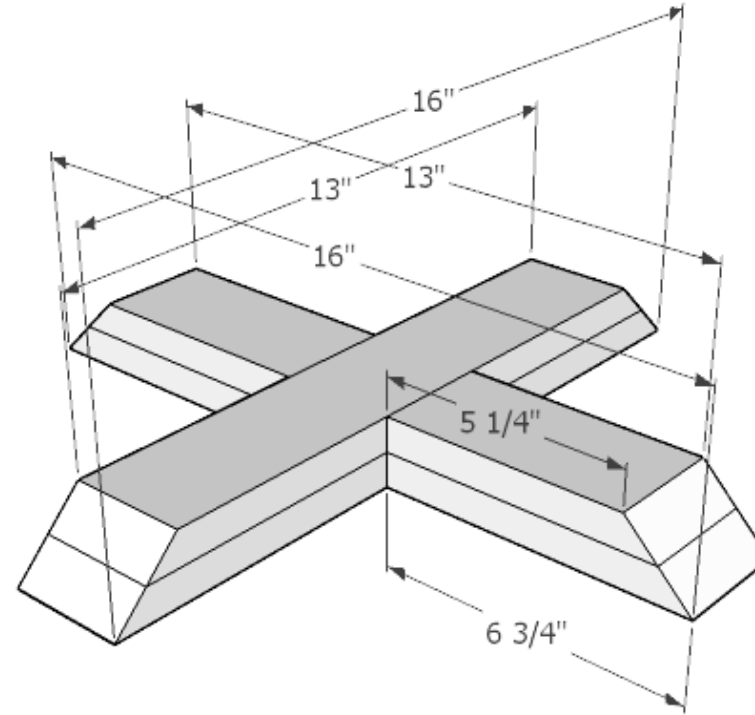
Now, cut 8 - 7" long 1x3's. Glue and Nail 4 sets of 2 of them together. Make sure to line them up as perfectly as possible. 2 nails along the top should be enough to hold the pieces tightly together while the glue dries. BUT, keep the nails 2" away from one end so that they are kept away from the angle we'll cut next.

Step Four

Shave a 90-degree cut off one end of each of the 4 blocks, to make sure it is a perfectly flush end. Then, turn it on it's side, and cut a 45-degree angle on the other end of each block. The length across the longest part should be 6 3/4".

Step Five

Put a pocket hole in the bottom of each of the 4 blocks. Use that to glue and screw the short blocks to the middle of the long blocks, to form 2 X's. To help you line things up evenly, mark the center of the long block on each side. Then mark the center of the short blocks, in front of the pocket holes.

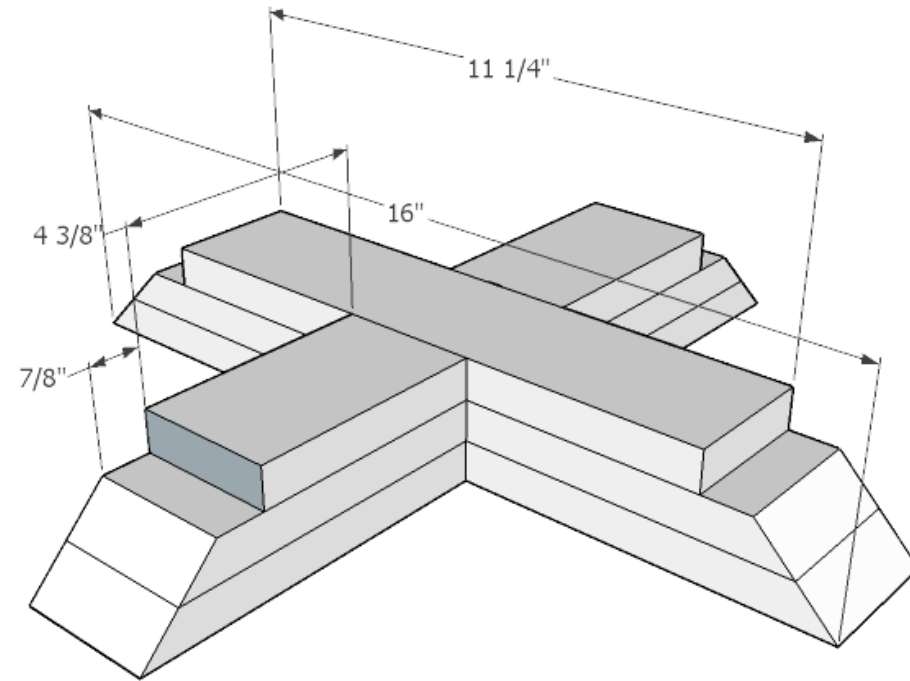


Step Six

Now, we need to add the top level to the X's. Cut 2 - 11 1/4" long 1x3's. Glue and nail them across the top of each X. Make sure it is centered on the X. I like to glue this top piece in the opposite direction of the original whole pieces.

Step Seven

Cut 4 - 4 3/8" long 1x3's. Glue and nail them to complete the top of each X for your DIY Pedestal Accent Table.

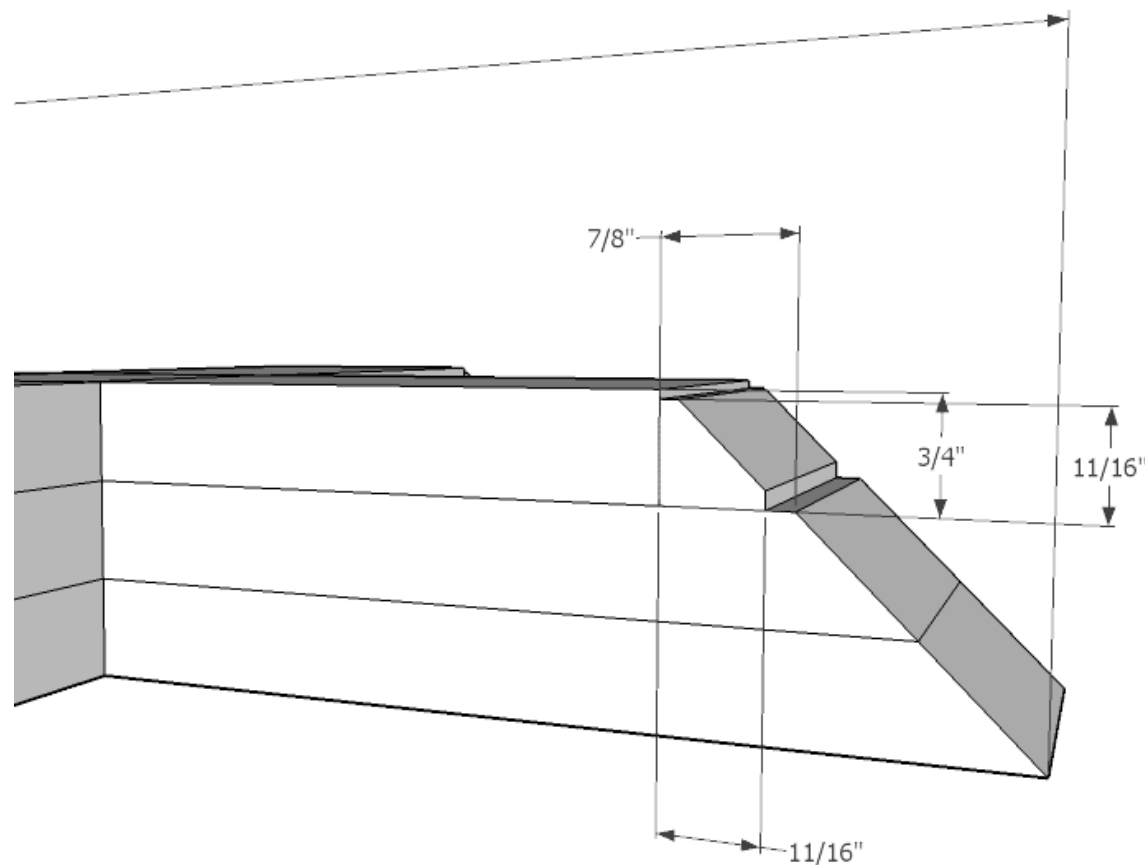


Step Eight

We'll add the Cove Molding to each X, next. Cut 8 - 2 1/2" long pieces of Cove Molding. Glue and Nail them on to the 4 ends of the top of the X.

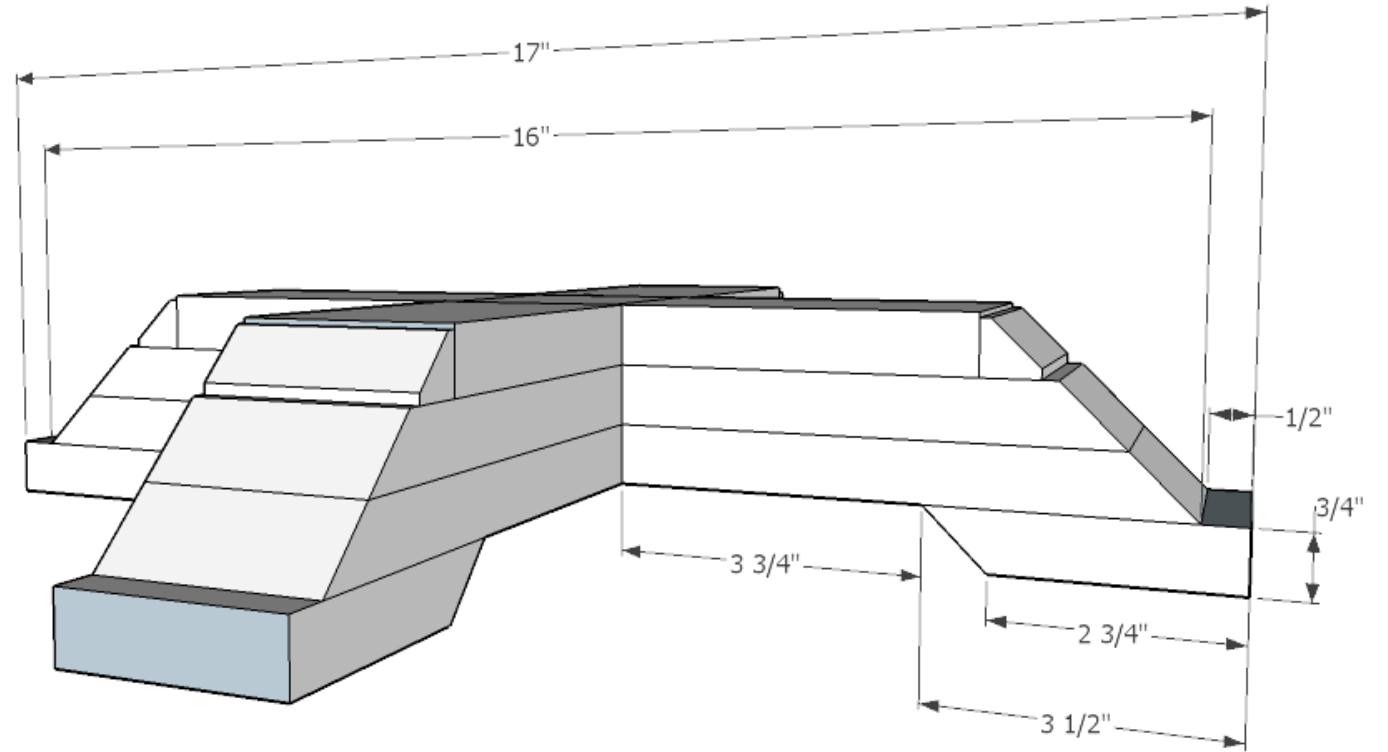
Side Note: The Cove Molding in the plan is missing the curved front it really has because it would take way too long for me to draw that in SketchUp. Let's all just pretend. ;)

You can see photos of the Cove Molding on my site.



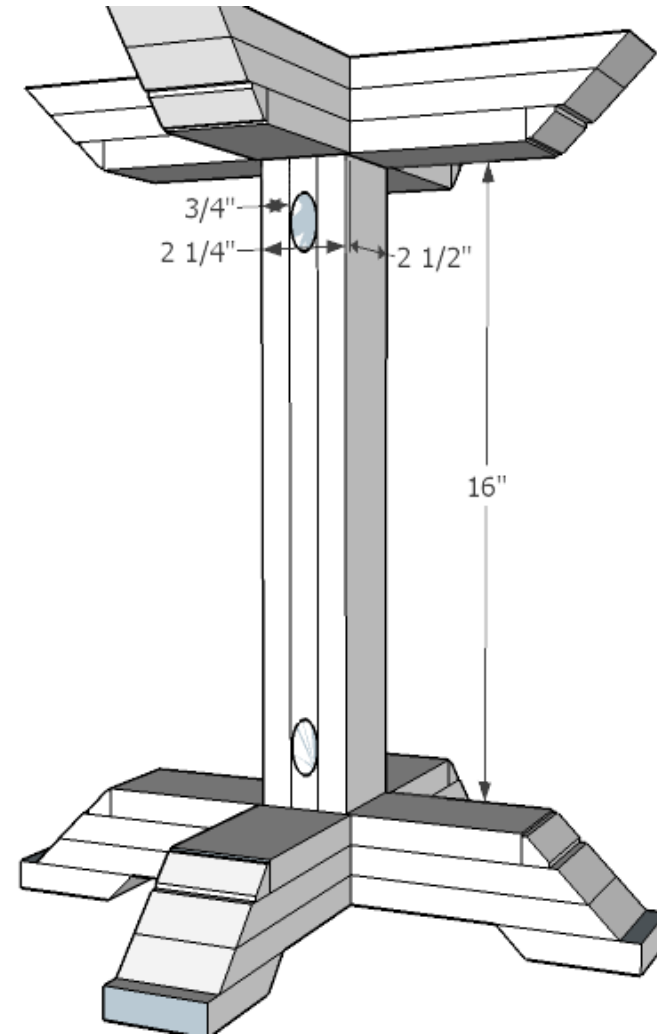
Step Nine

We can attach feet to one of the X's now. Cut 4 - 1x3's with 1 90-degree end and 1 45-degree end. They should be 3 1/2" long on the longest side. Glue and nail them to the bottom of one of the X's, with 1/2" hanging off the outside edge.



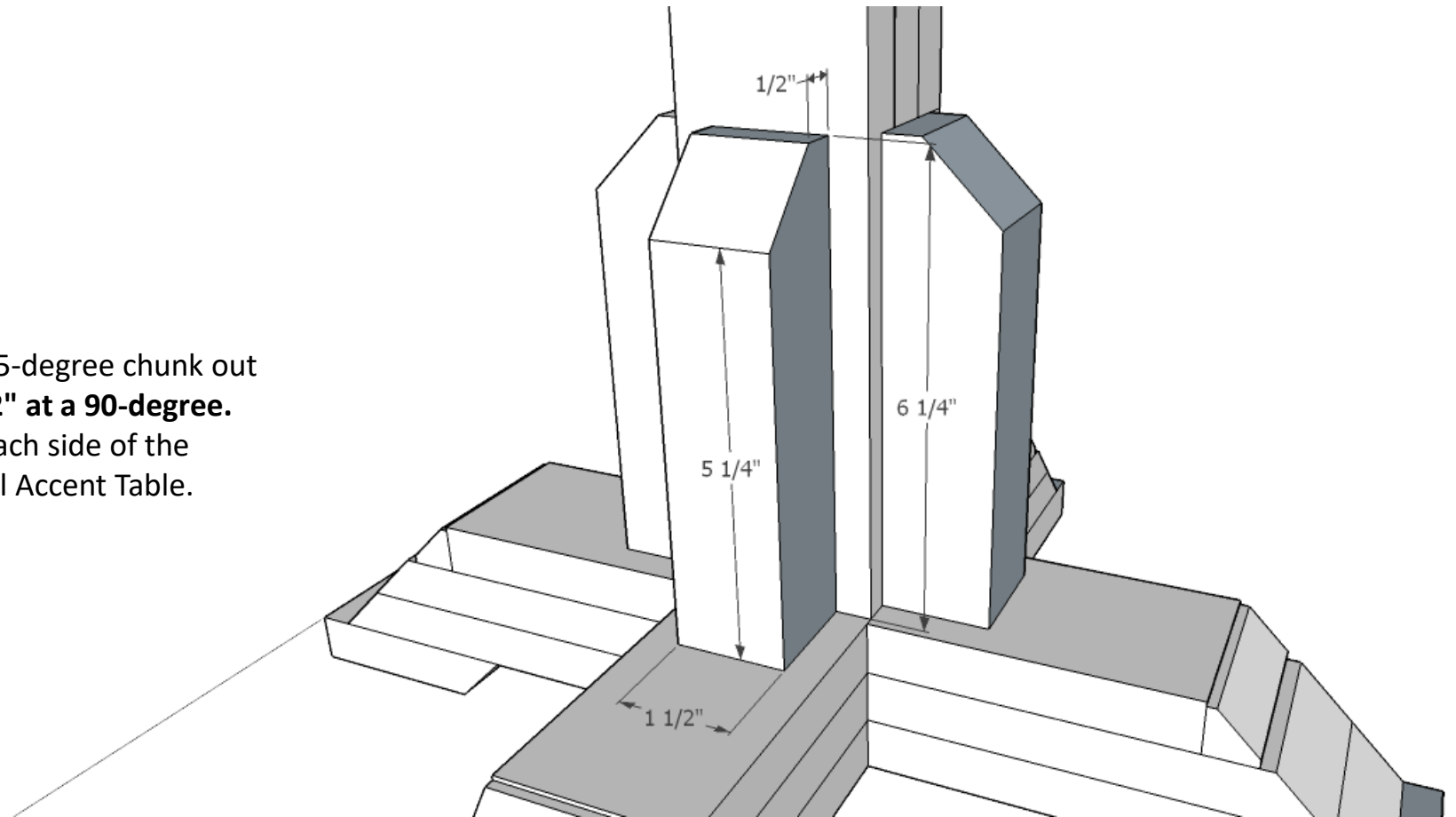
Step Ten

Cut 3 - 16" long 1x3's, then glue and nail them together. Put 4 pocket holes on this post, 2 on each end (on opposite sides). Glue and screw the post into the center of each X base. The post is 2 1/2" x 2 1/4", so it will line up perfectly with the 1x3 base on 2 sides, but will need to be centered on the other 2 sides.



Step Eleven

Cut 4 - 6 1/4" long 2x2's. Then cut a 45-degree chunk out of the end of each one, **BUT leave 1/2" at a 90-degree.** Glue and nail these to the center of each side of the bottom of the post of the DIY Pedestal Accent Table.

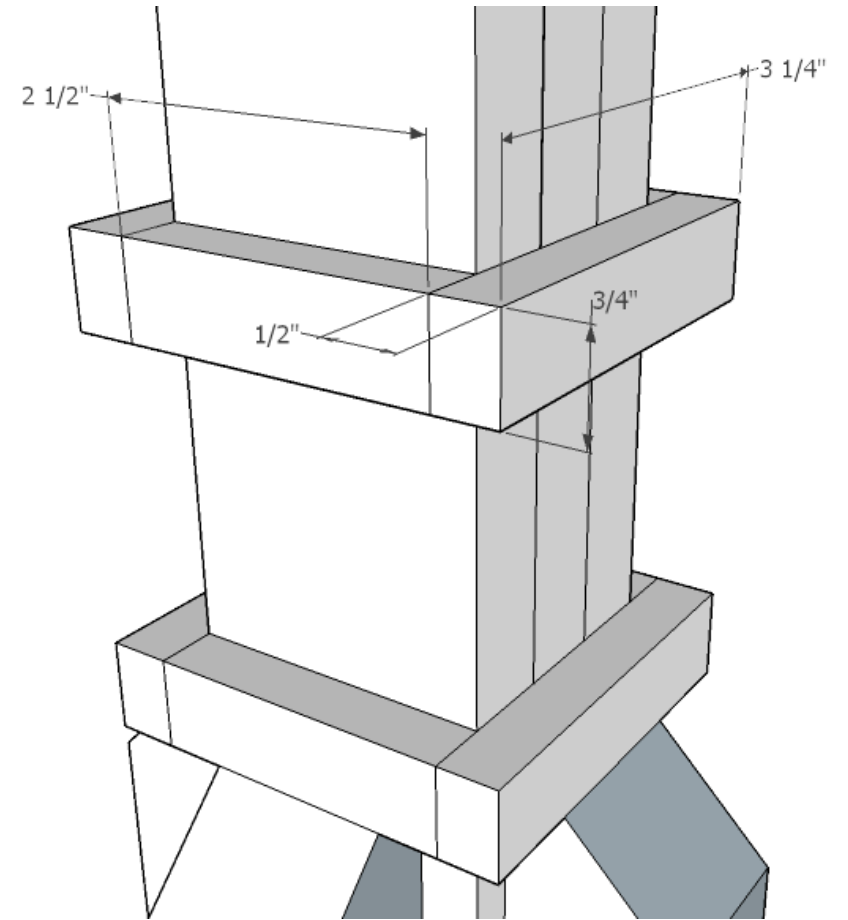


Step Twelve

Cut 4 - 2 1/2" long - 1/2" x 3/4" dowels and 4 - 3 1/4" long - 1/2" x 3/4" dowels. Glue and nail 2 of each on top of those 2x2's. You want the 3/4" side of the dowels attached to the post. The 3 1/4" long pieces should be on the 2 1/4" long post sides. Glue and nail the other 4 pieces 3 1/2" above the first row.

Step Thirteen

Sand everything smooth, then fill in pocket holes, nail holes, cracks and gaps with wood filler. Let that dry, then sand everything smooth again. I used a medium grit first, then finished with a fine grit. I also like to knock down all sharp edges with a light sanding too. I think it gives furniture a nicer, more finished look. And by every sharp edge, I mean every edge, top, bottom, sides, feet, angles...all of them.



Step Fourteen

Since I wanted a painted base with a stained top. I finished the base and top completely before attaching them. So, you can stop here and apply whatever stain and/or paint you'd like before moving on. You can see the details about my finishing steps on my site.

I've also shared a link to a video showing you how I distressed and stained the top on my DIY Pedestal Accent Table.

Step Fifteen

When you're ready to attach the top, just glue it on, make sure it's centered. Use a nice layer of glue to get a strong bond. Then nail it in, through the top, in 5 or 6 spots to get a tight bond. Angling the nails a little seems to get the tightest grip. Fill those holes with a matching wood putty and they'll completely disappear.

Build Note: If this was a heavier table, I wouldn't want to just rely on glue and nails for a top. But this DIY Pedestal Accent Table is pretty light and you've got a huge surface area covered in glue holding it together. So you can pick it up with the top and not worry about breaking the bond between the top and the base.

That's it! You're done. Enjoy your new DIY Pedestal Accent Table. :)

