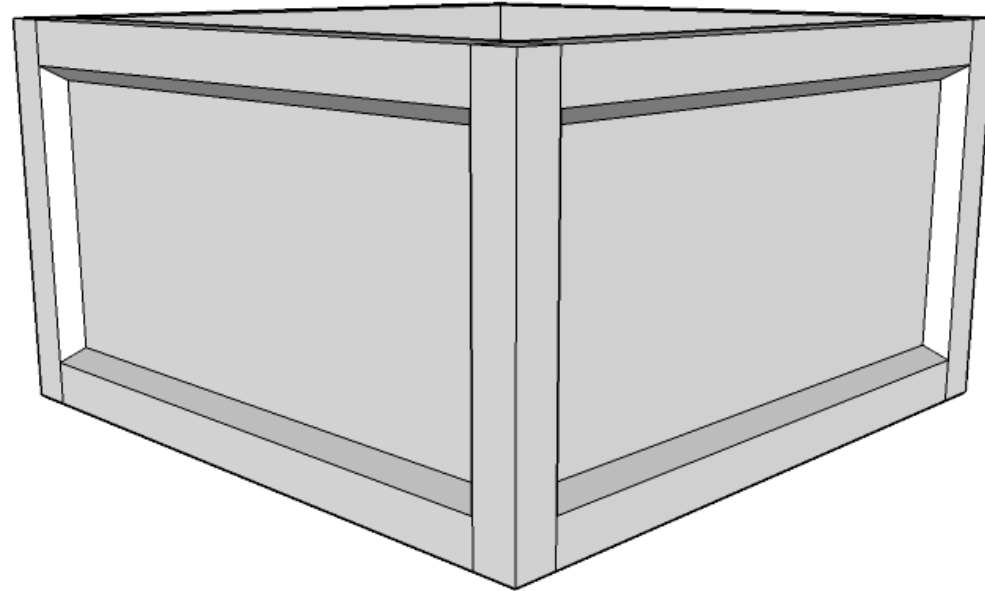


DIY Christmas Tree Stand & Ornament Storage



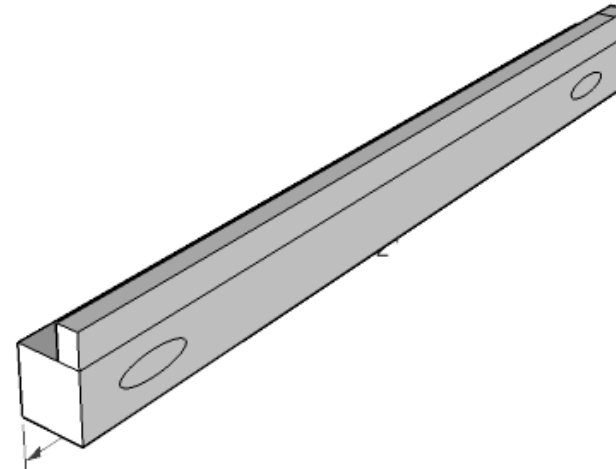
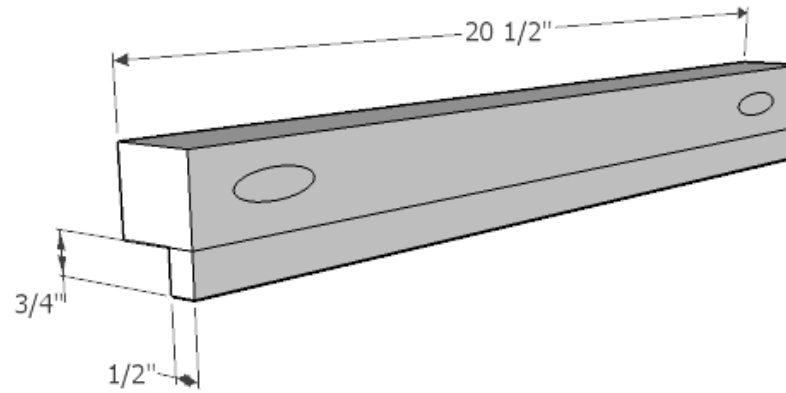
Materials

- 4 – 13 1/4" long 2" x 2" Select Pine Boards, for the corners
- 8 – 20 1/2" long 2" x 2" Select Pine Boards, 2 for each side frame
- 4 – 6" long 2" x 2" Select Pine Boards, to support the base
- 1 – 20 1/2" x 20 1/2" x 1/2" thick MDF or Plywood, for the base
- 4 – 20 1/4" x 13" X 1/4" thick Beadboard, MDF, or Plywood, for the side panel
- 8 – 20 1/2" long 1/2" x 3/4" Pine Molding
- 8 – 8 3/4" long 1/2" x 3/4" Pine Molding
- 8 – 20 1/2" long Cove Molding with a 45-degree Miter
- 8 – 8 3/4" long Cove Molding with a 45-degree Miter

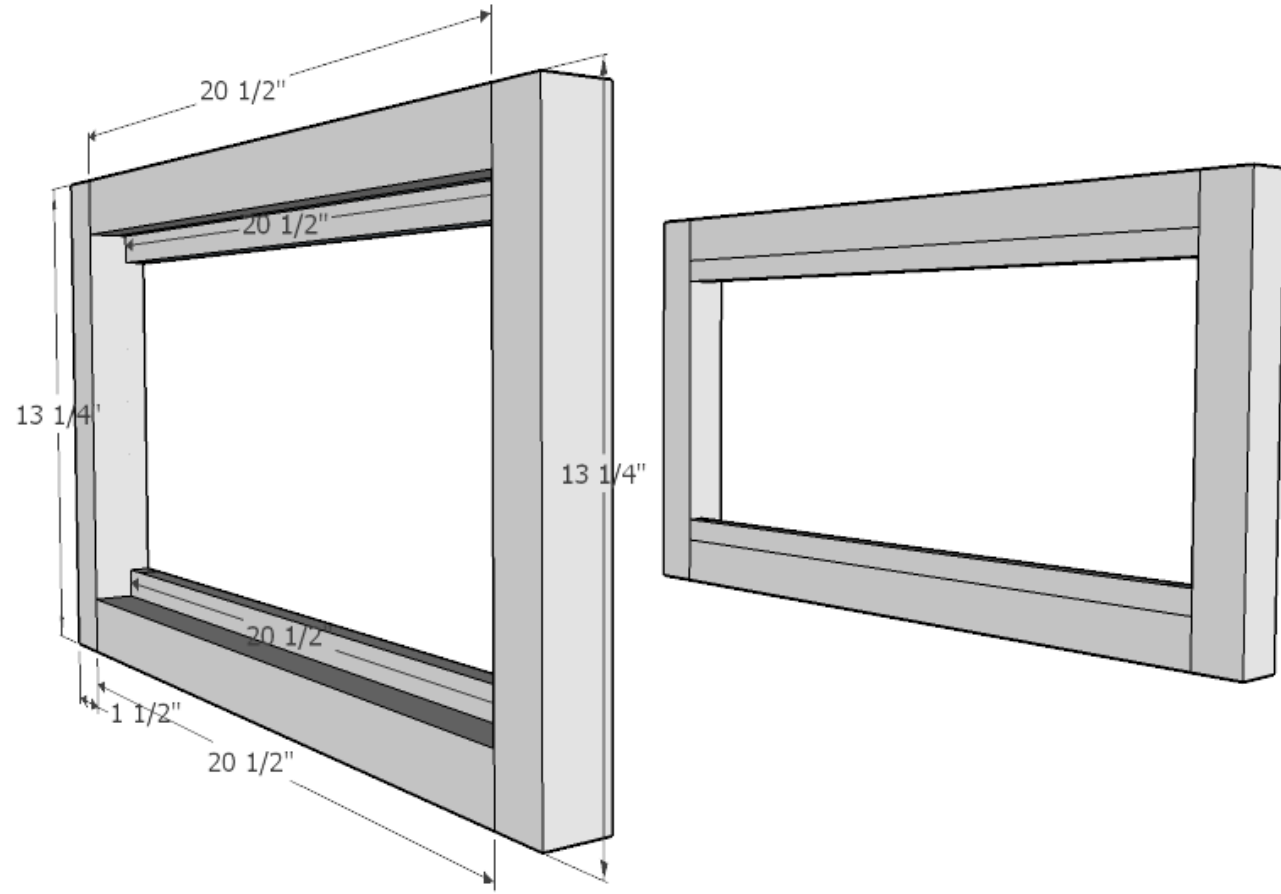
Tools

- Kreg Jig, Screws and Drill
- Wood Glue
- Brad Nailer and Nails
- Miter Saw
- Sander and Sandpaper

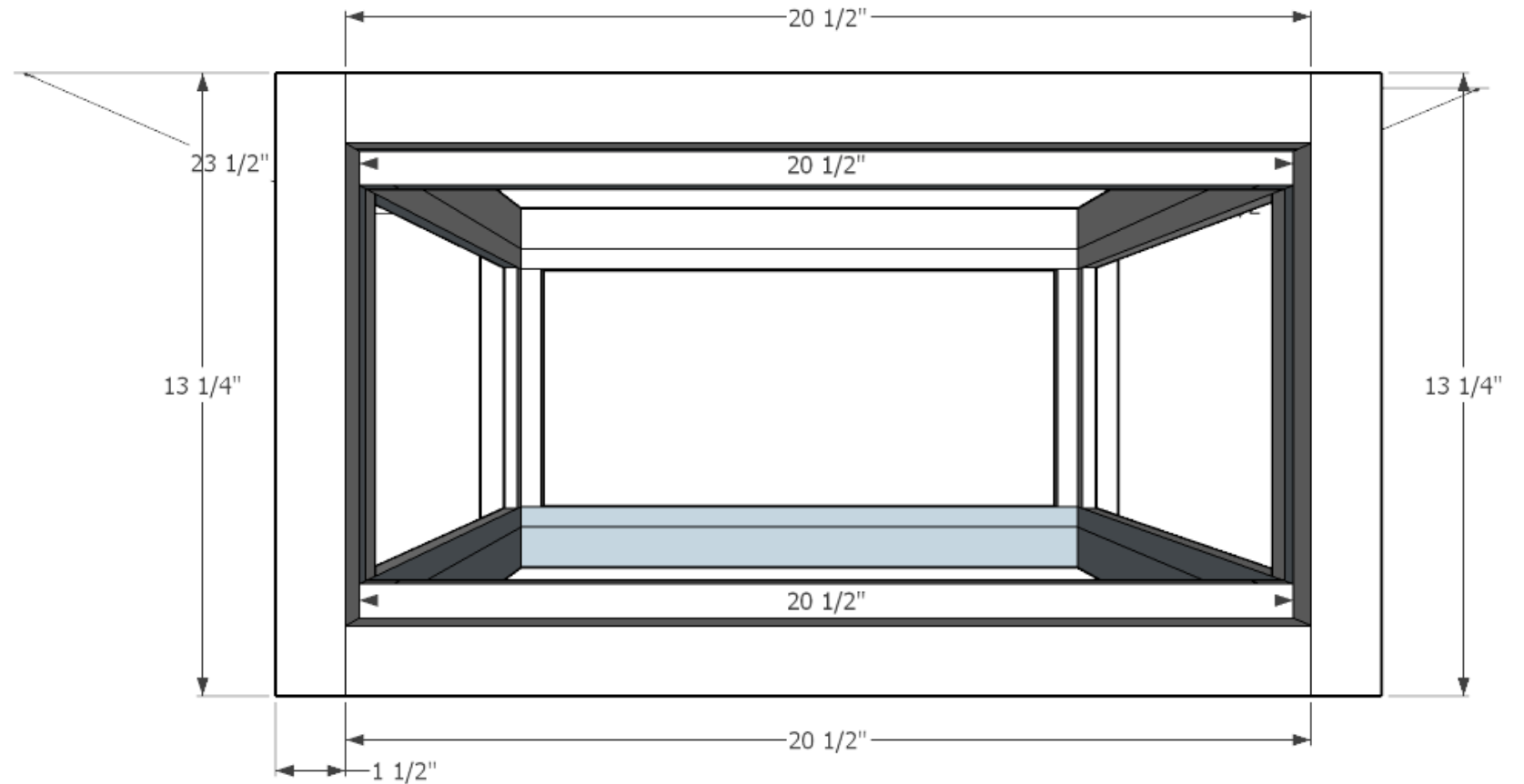
- Cut your 2" x 2" boards to size.
- Put 1 pocket hole on each end of the 8 - 20 1/2" long 2" x 2" boards. Should be 16 holes total.
- Cut your 1/2" x 3/4" Pine Moulding to size.
- Use Glue and your Brad Nailer to attach the 20 1/2" long 1/2" x 3/4" Pine Moulding to the 20 1/2" long 2x2's. **Be careful**, you want to attach the 1/2" wide side to the 2x2, so that there is still room for the 1/4" thick board and the Cove Moulding. Make sure the Moulding is flush with the pocket hole side of the 20 1/2" long boards.



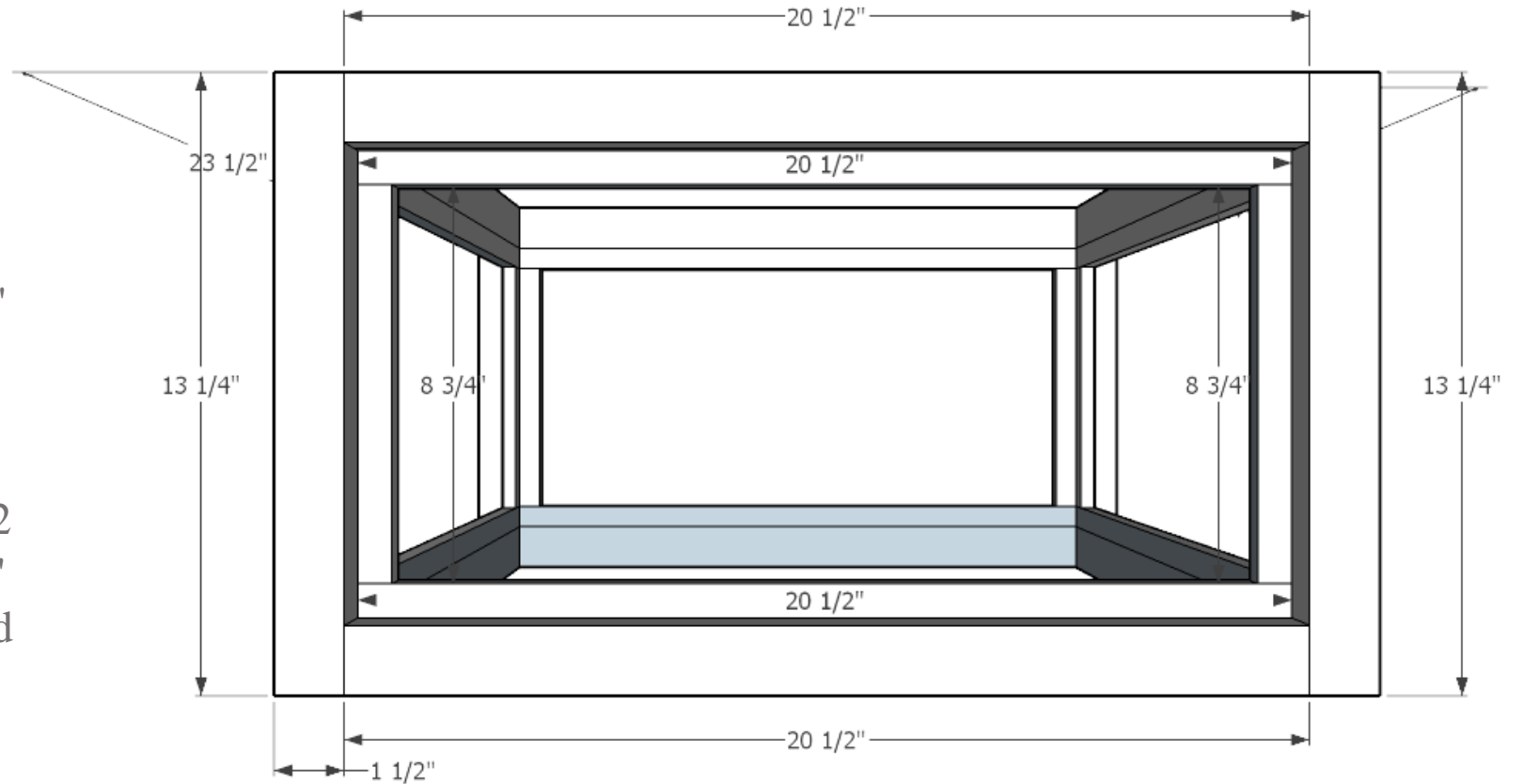
- Once all 8 - 20 1/2" long 2x2's have Moulding attached, you can assemble the sides. Build 1 full side with 2 - 20 1/2" long 2x2's and 2 - 13 1/4" long 2x2's. Use glue and pocket hole screws to assemble 2 full sides.



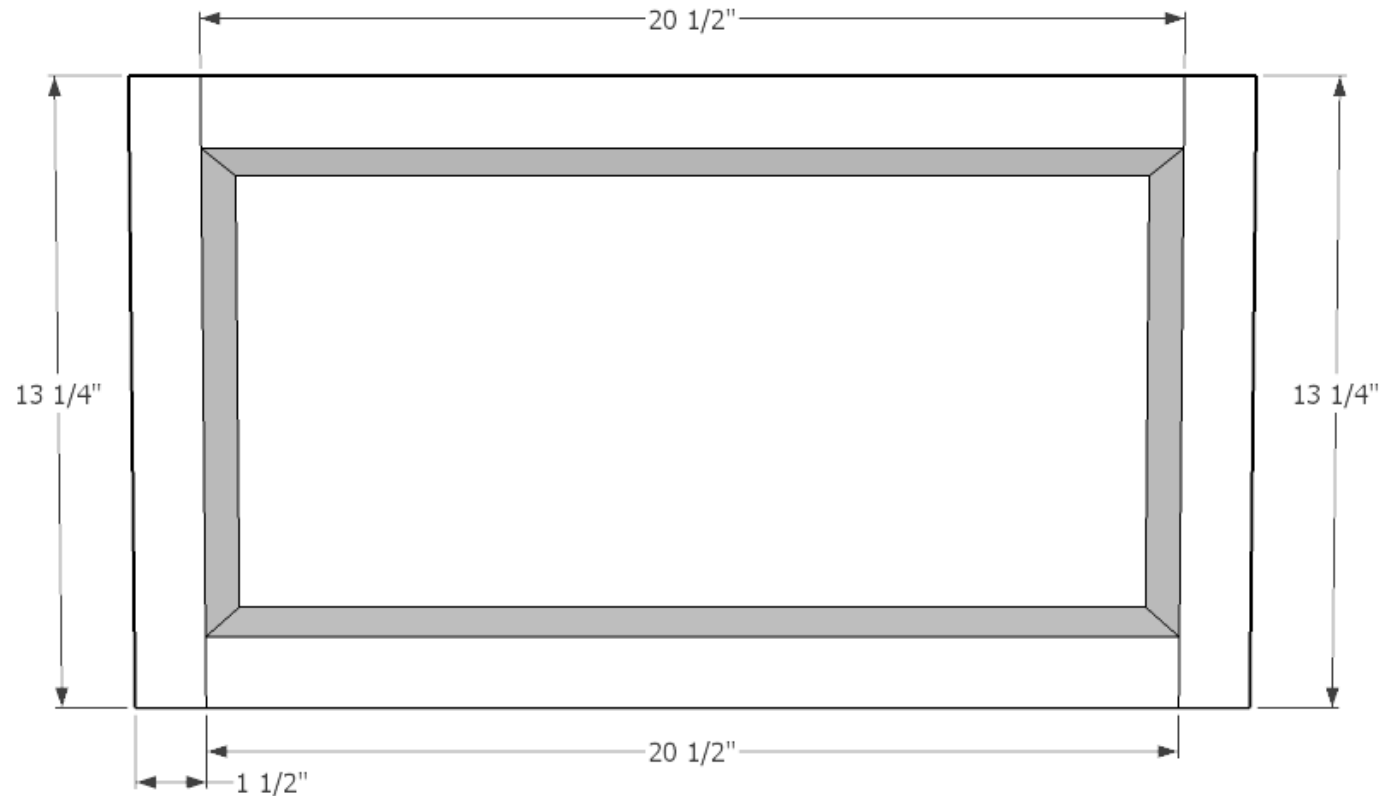
- Now, use glue and screws to connect the 2 full sides with 2 - 20 1/2 long 2x2's. Make sure that all of the pocket holes are facing the inside of the box. Finish the final side with the last 2 - 2x2's, glue and screws.



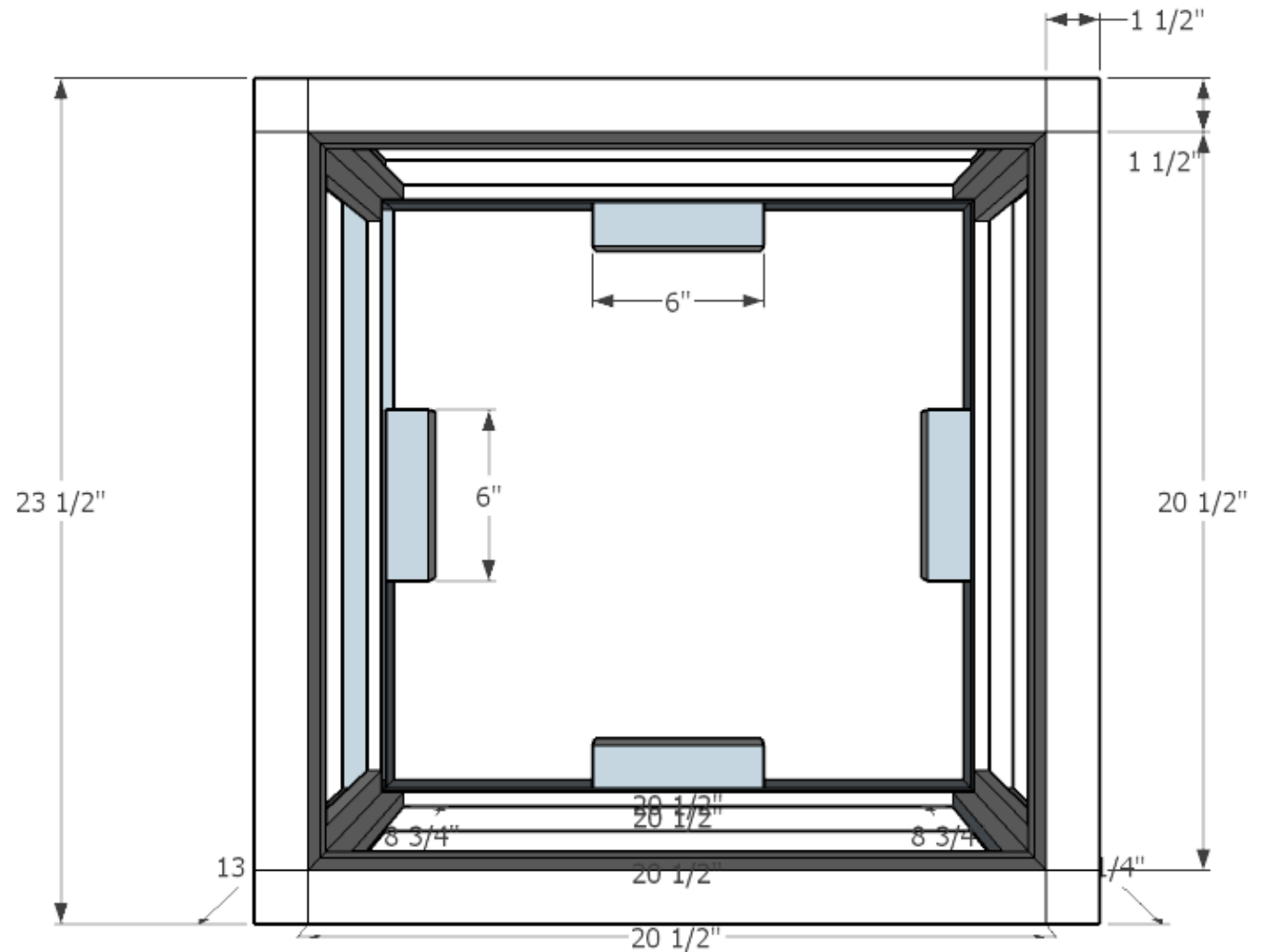
- Use Glue and Brad Nails to attach the 8 - 8 3/4" long 1/2" x 3/4" Pine Moulding pieces to the short sides of the frame. Make sure they are flush with the back of the 2x2 and even with the longer 1/2" x 3/4" Moulding you attached earlier.



- Now the frame is assembled and the backing for your panel is in place. **Just glue** the beadboard, MDF, or plywood panel to your backing. Then frame the top of the panel with Cove Molding that has a 45-degree angle in the corners. **Glue and Brad Nail** the Cove Molding to the 2x2.



- For the base, I attached 1 - 6" long 2x2 to the middle of each side, with Glue and Screws. Make sure it is flush with the rest of the bottom of the frame, so that they sit directly on your floor and don't have to support any weight. This is especially important with live trees with water that are so much heavier than my artificial tree.



- Glue and Nail your 1/2" Base to the top of those 6" supports.
- Fill the pocket holes and nail holes with wood filler. I use Dap's Plastic Wood-X. Once the wood filler is dry, sand the frame and the wood filler smooth. Clean off all dust with a tack cloth or scrap cloth. A shop vac or brush might be needed on the beadboard first.
- That's it. Now you're ready to apply the finish. :)
- You can find the full details about the finish I used, on my site.

