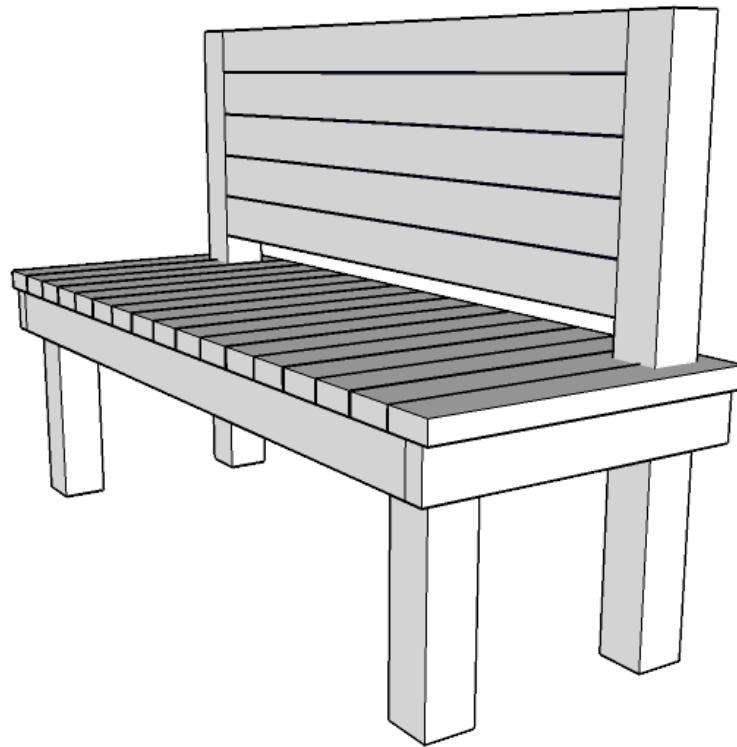
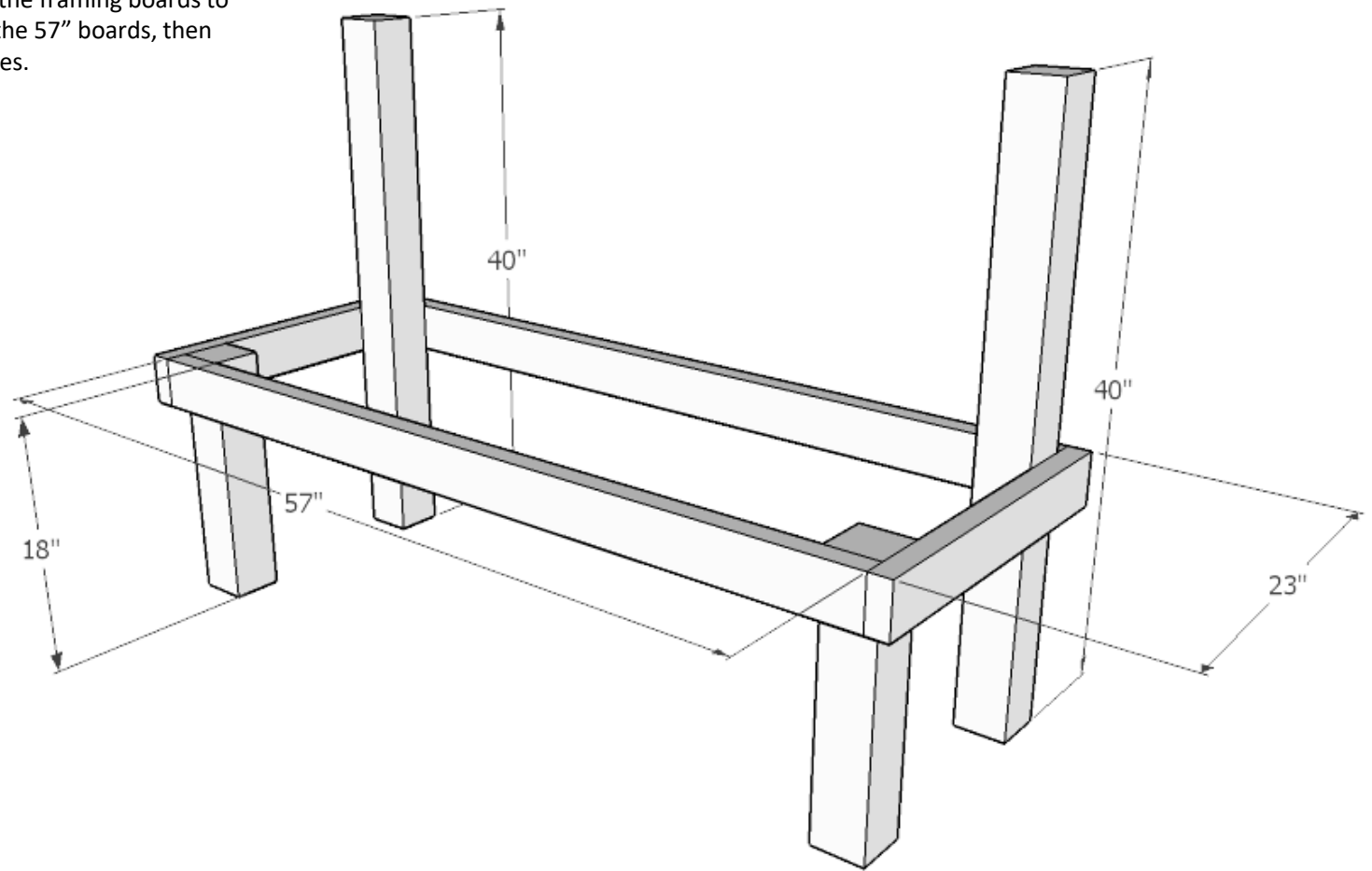


# DIY Rustic Farmhouse Bench

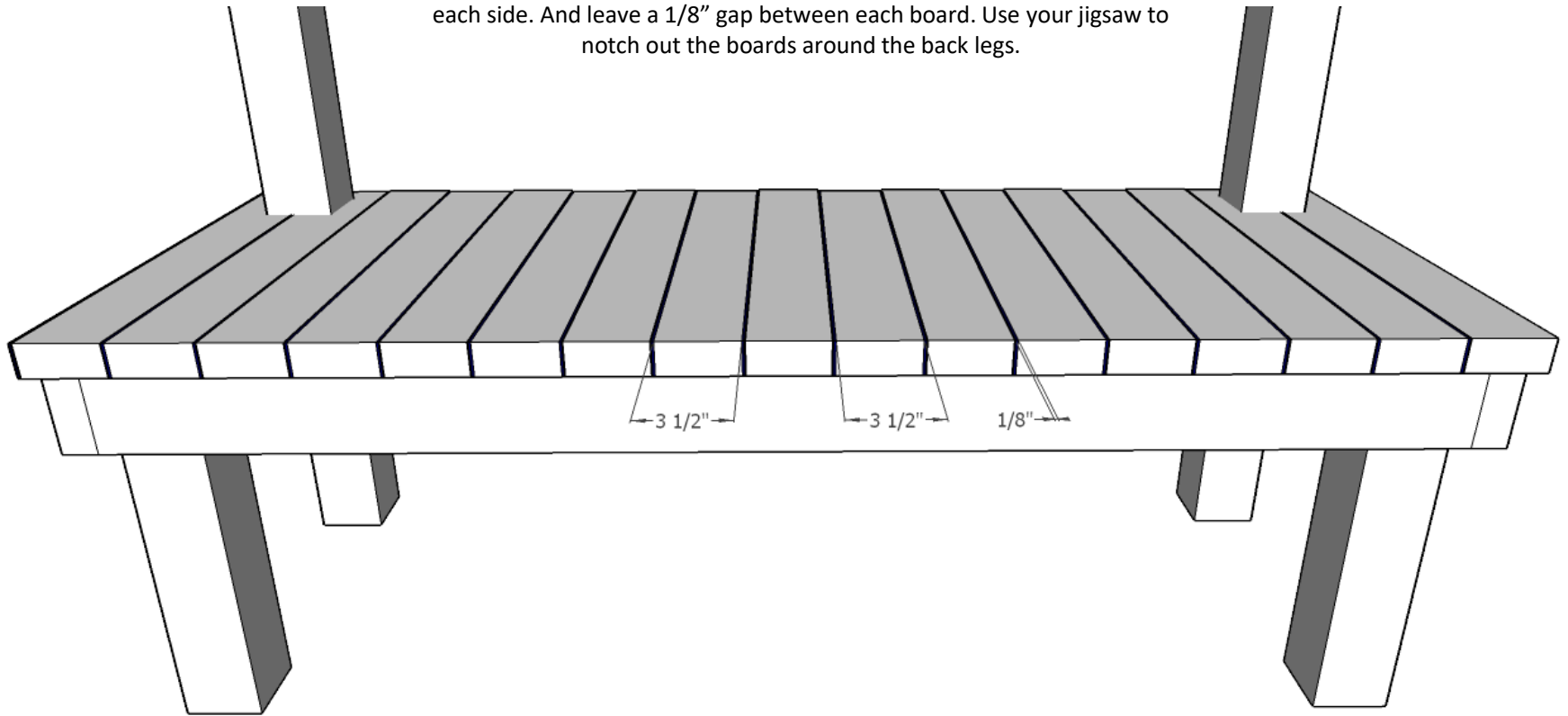


Materials	Tools	Cut List
8 – 2x4x10' boards 1 – 2x2x6' furring strip 1 – 4x4x10' board 2 ½" self-tapping exterior deck screws Sandpaper Paint or Stain	Miter Saw (or Circular Saw) JigSaw Sander (optional) Drill	2 – 18" 4x4's 2 – 40" 4x4's 2 – 57" 2x4's 2 – 23" 2x4's 17 – 23 ¼" 2x4's 5 – 50" 2x4's 2 – 16" 2x2 furring strips

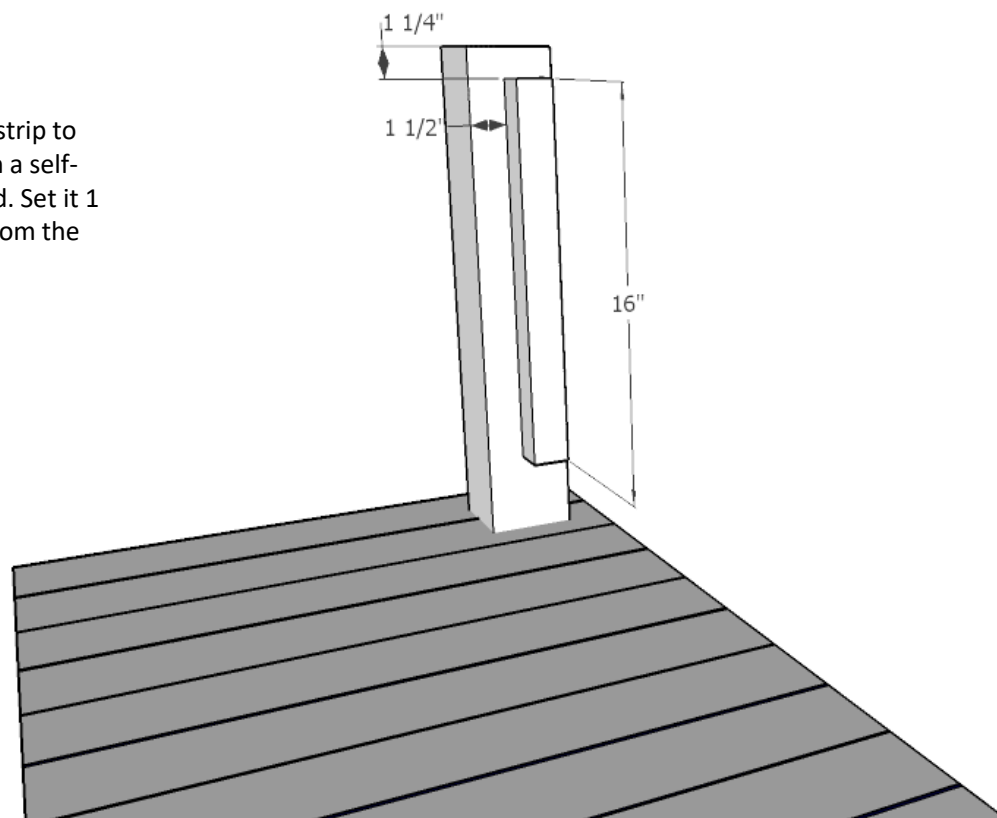
Use 2 of the 2 ½" self-tapping screws, at each end, to attach the framing boards to the legs. Start with the 57" boards, then add the 23" long sides.



Attach 17 seat boards to the frame with the same screws. Be sure to center the boards on the seat so that they have the same overhang on each side. And leave a  $1/8$ " gap between each board. Use your jigsaw to notch out the boards around the back legs.



Attach a 16" long furring strip to each of the back legs with a self-tapping screw at each end. Set it 1 1/2" back and 1 1/4" down from the top.



Attach the 5 – 50" long boards to the furring strips with the self-tapping deck screws. Now you're ready to apply your paint or stain, distress, and enjoy your very own DIY Rustic Farmhouse Bench!

