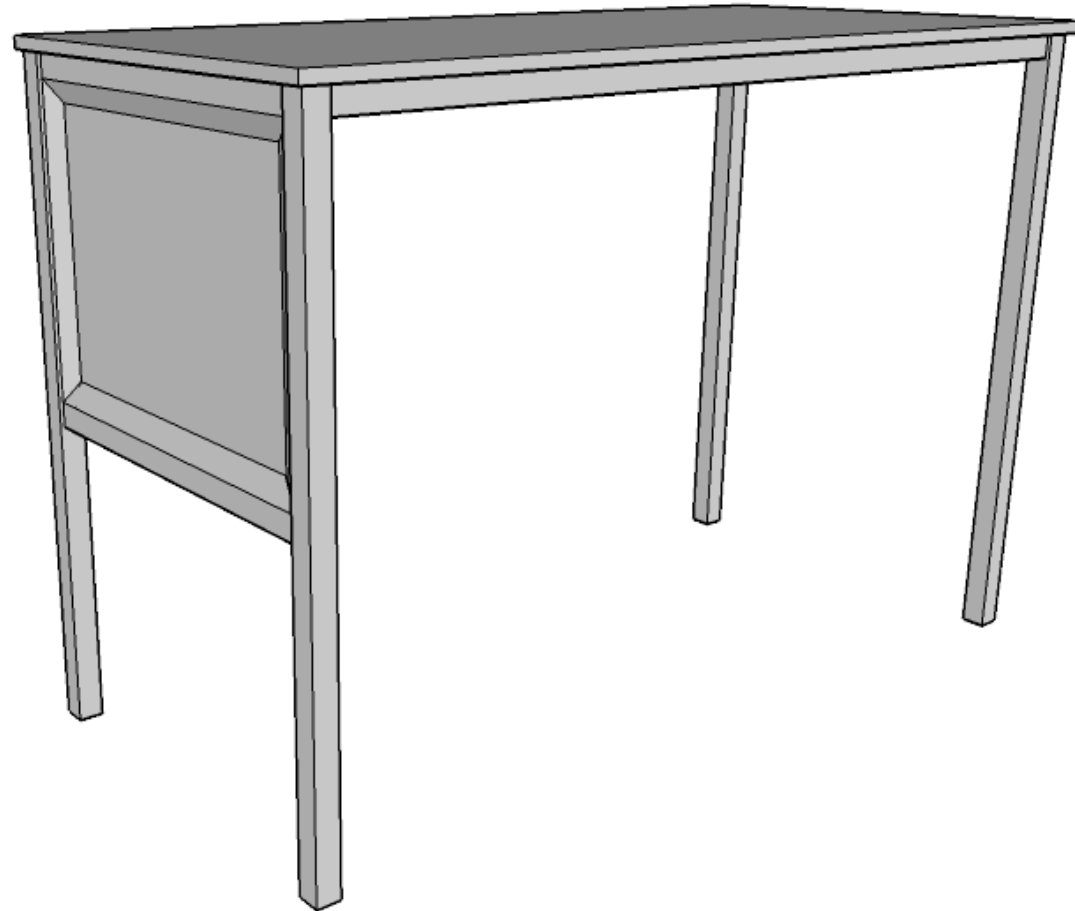


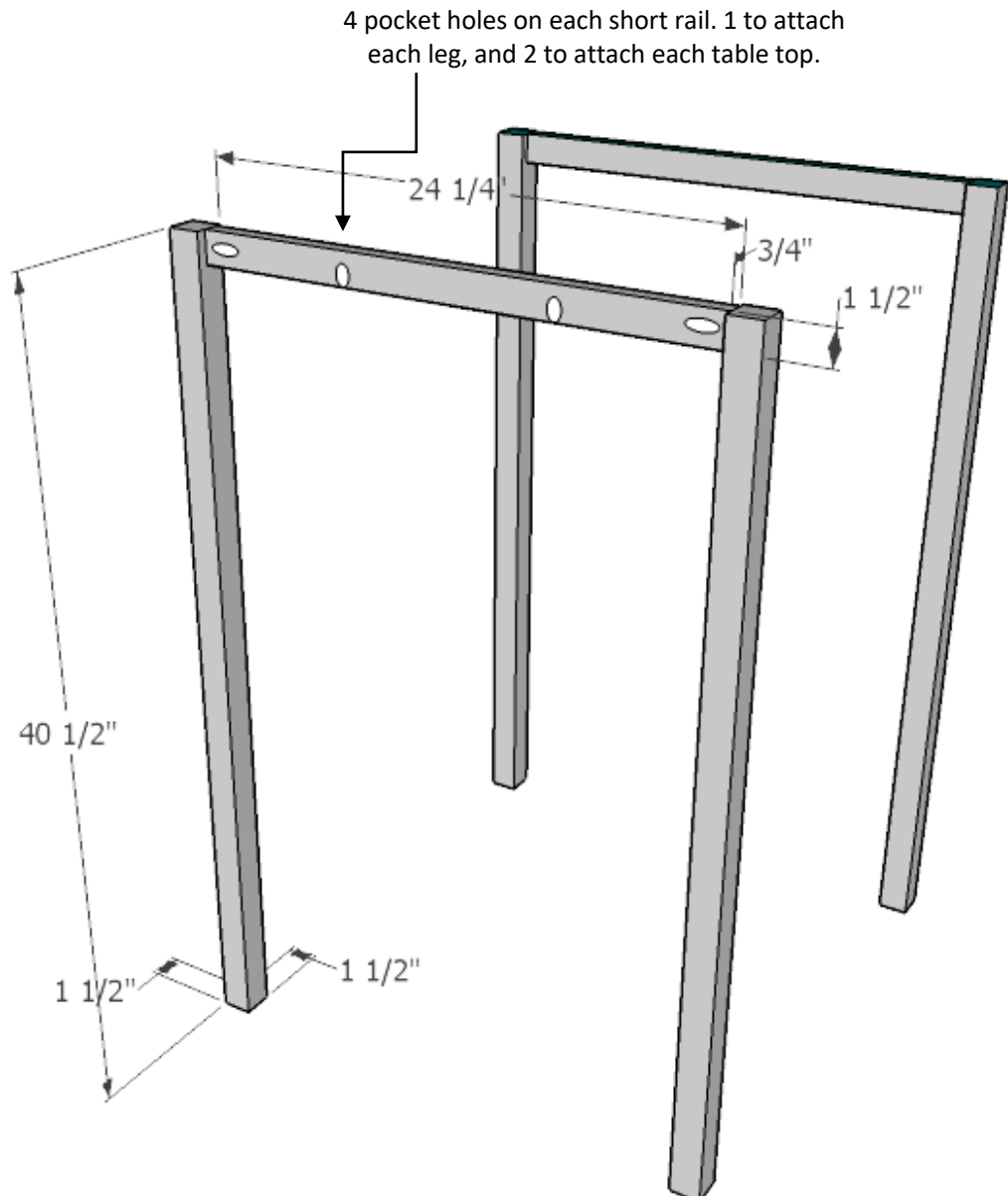
DIY Laundry Table Over a Washer & Dryer



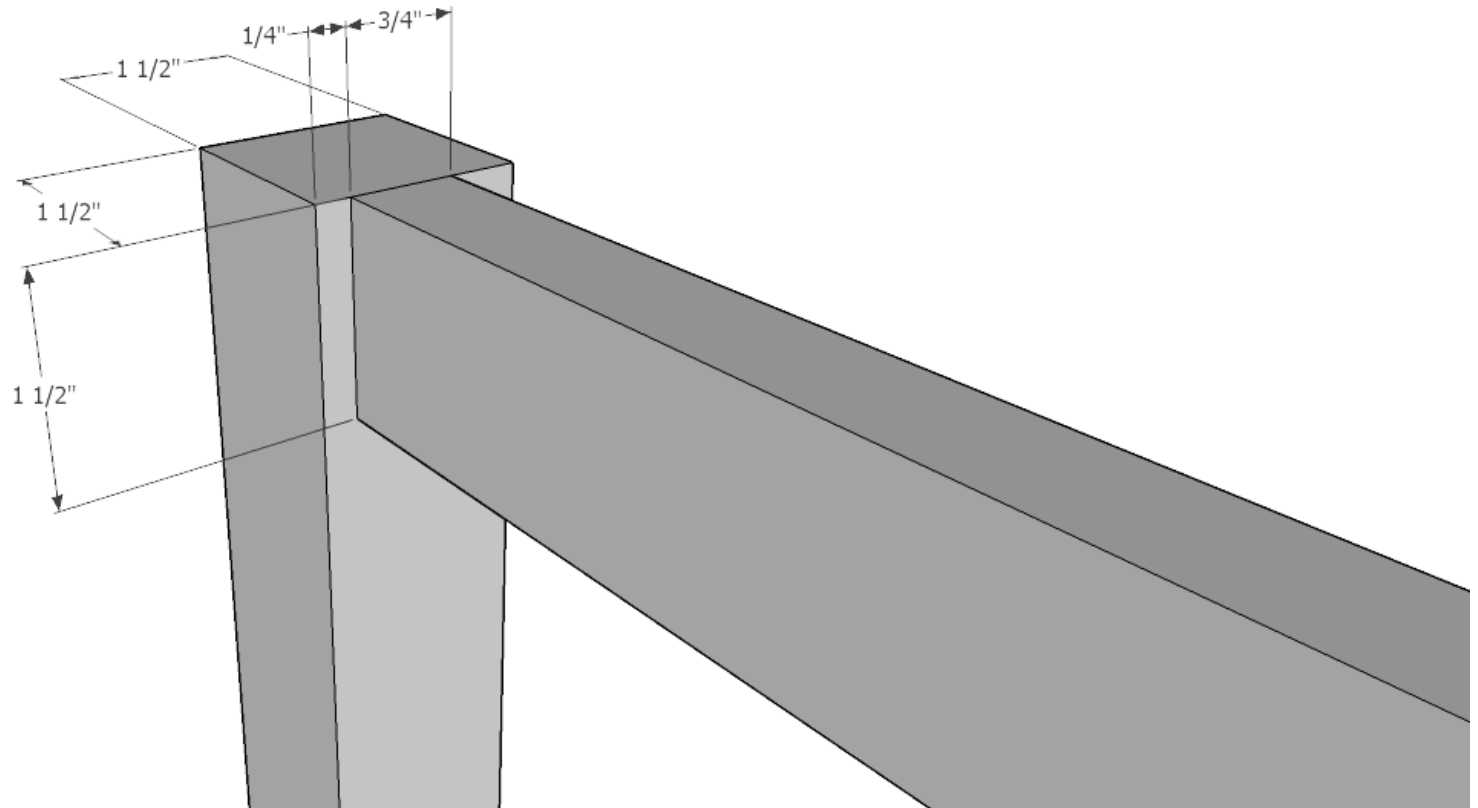
Materials	Tools	Cut List
<ul style="list-style-type: none"> • Edge Banding and Iron to apply it • Wood Glue • Sandpaper • Wood Filler • Paint and Stain • Lumber and Plywood, per cutlist 	<p>Miter Saw Circular Saw Sander (optional) Drill Kreg Jig & Screws</p>	<p>$\frac{3}{4}$" Plywood Top – 27 $\frac{3}{4}$" x 59 $\frac{1}{2}$" 4 Legs – 40 $\frac{1}{2}$" long 2x2's 2 Short Rails – 24 $\frac{1}{4}$" long 1x2's 2 Long Rails – 55" long 1x2's</p> <p><u>1 Optional Side</u> 1 Extra Rail – 24 $\frac{1}{4}$" long 1x2 1 – $\frac{3}{4}$" or $\frac{1}{2}$" Plywood Side - 24 $\frac{1}{4}$" x18 $\frac{1}{2}$" 4 – Mitered cap moulding</p>

Remember: Your washer and dryer sizes may be different than mine. You will need to measure the width and height of your machines to make any adjustments to this plan. Also, you may need to change the depth of your table frame and top. Mine is small enough to be carried through the Laundry Room door when I need to work around the machines.

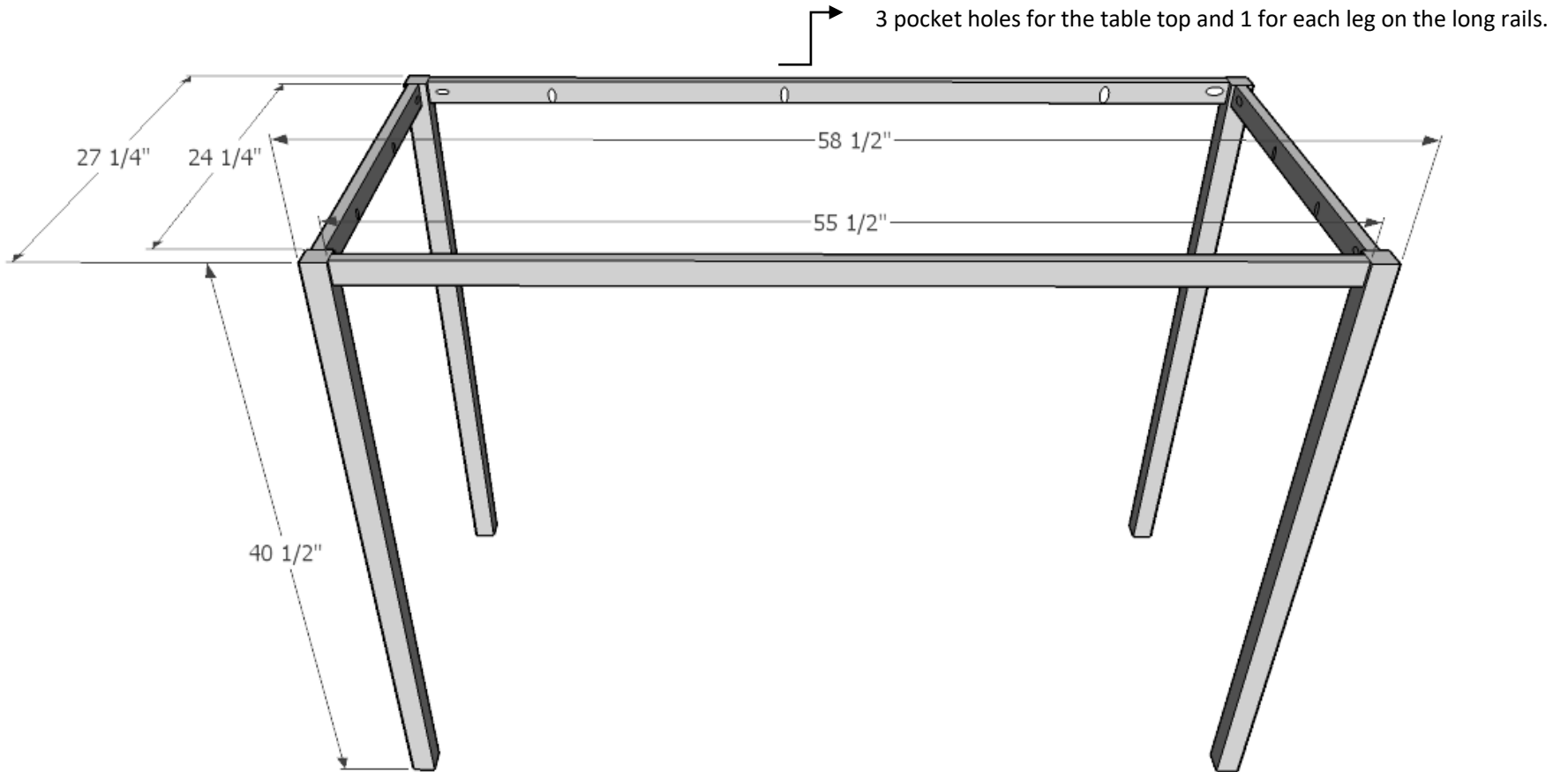
Connect 2 of the legs with one of the short rails, using the pocket hole and wood glue on each side. Be sure to line the top edge of the rail with the top of the leg. I also like set the rail $\frac{1}{4}$ " back from the leg. This is a design element and prevents any issues with the screw cracking the 2x2 leg. Now connect the other 2 legs with the other short rail. You should have the 2 short sides of the frame assembled.



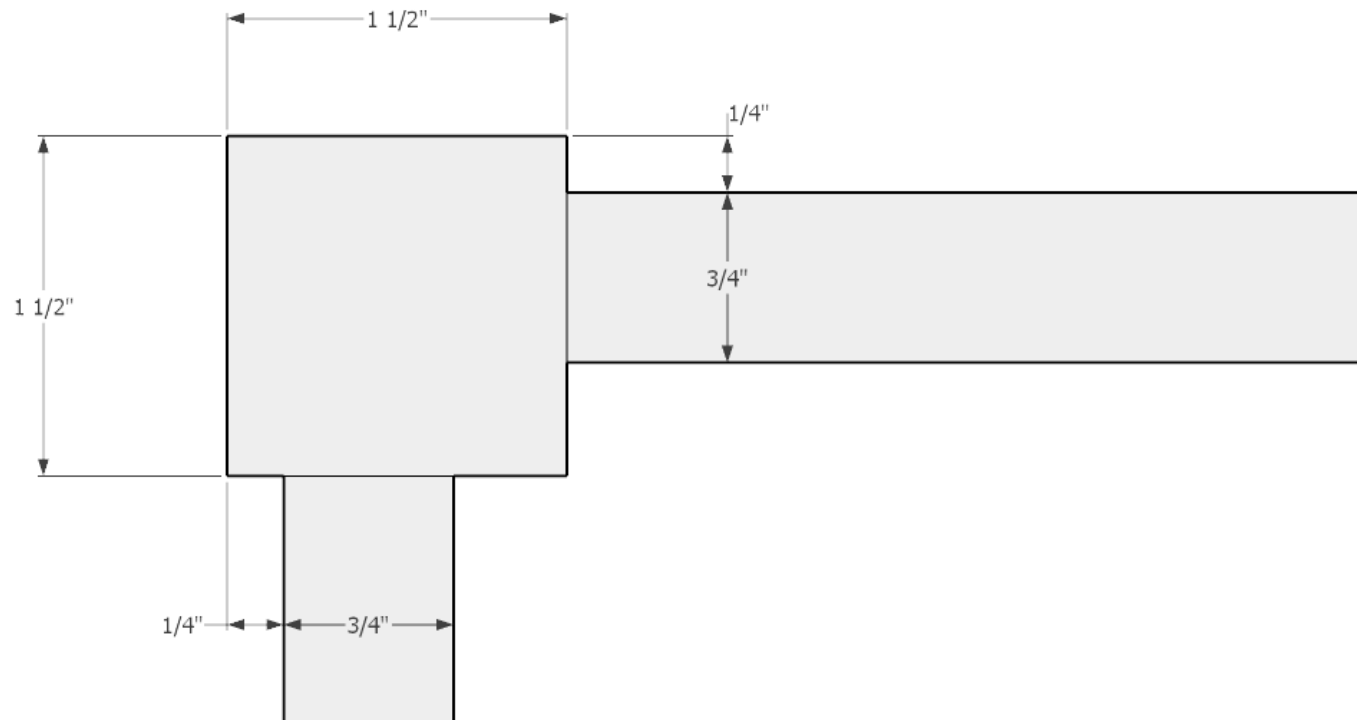
A closer look at the 1/4" rail setback from the front of the leg.



Connect both of your short sides with a long rail, using the same glue and screw method. Make sure it gets the same set back as the sides too. You might find it's easiest to attach the long rails while the short sides are sitting upside-down, on the top of their frames. Once you have all 3 sides connected, attach the final long rail with your screws and glue.



A closer look at how each corner should look, from the top.

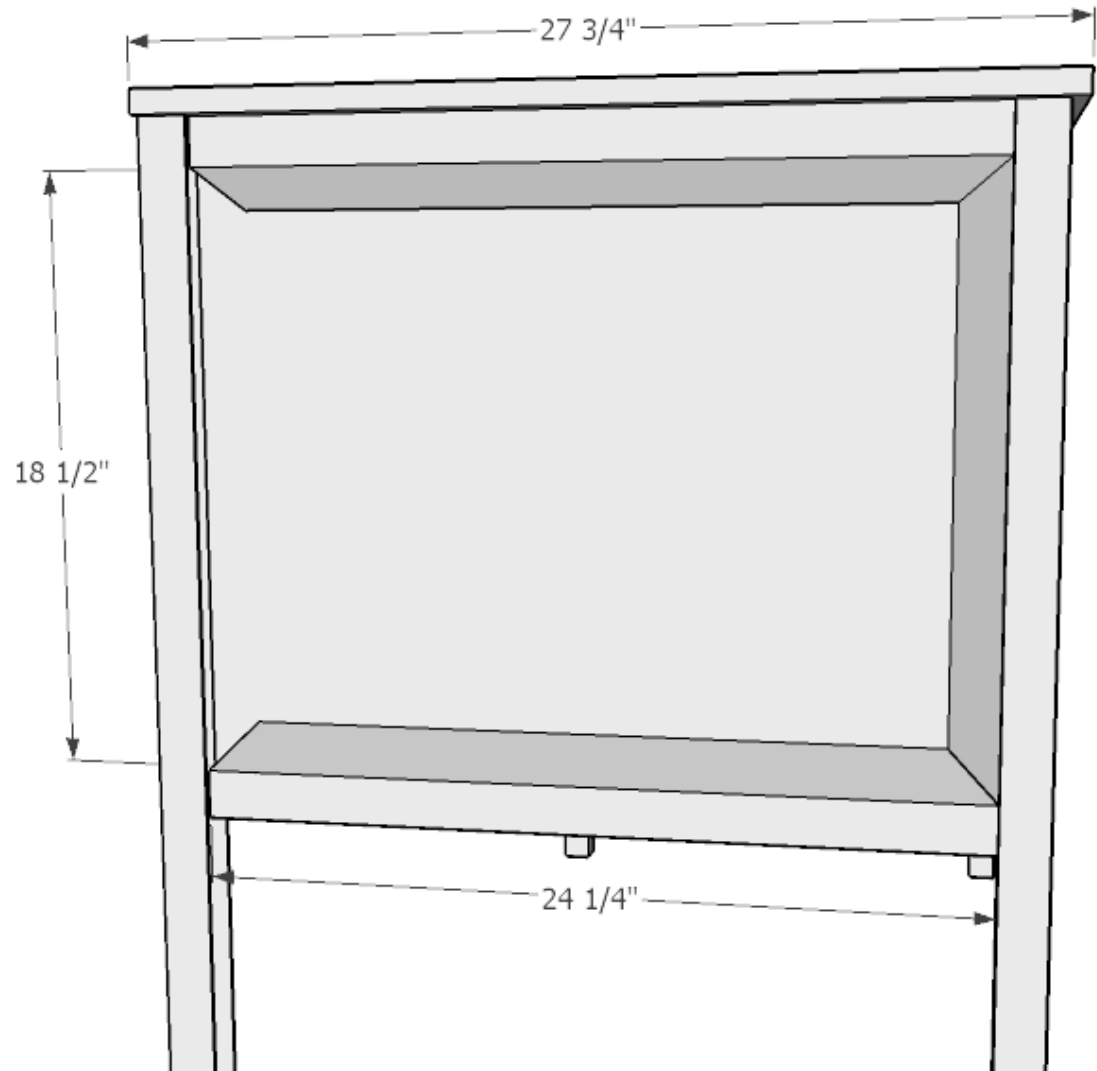


If you want to **add 1 or 2 of the optional sides**, attach another short rail and plywood , as shown.

For the plywood, use glue and 4 pocket holes(2 on each leg side) in the back of $\frac{1}{2}$ " or $\frac{3}{4}$ " plywood. Mine is $18\frac{1}{2}$ " x $24\frac{1}{4}$ ". But you may want to adjust the size of yours to hide more or less of the side of your washer/dryer. You could take this design all the way to the floor, if needed. I set the plywood back $\frac{3}{4}$ " from the front of the leg, that's $\frac{1}{2}$ " back from my rails.

The rail goes just below the plywood. Make sure to set the new rail back $\frac{1}{4}$ " from the front of the leg to match the top rail.

I also framed the edges of the plywood with mitered $\frac{3}{4}$ " x $1\frac{1}{4}$ " cap molding. You can go without this or change up the moulding to match your style or room. Note: **I've only shown 3 sides with moulding in this image.**



Cut and attach the top with glue and the 10 pocket holes in the rails.

You can find full details about the paint and stain I used on my site.

